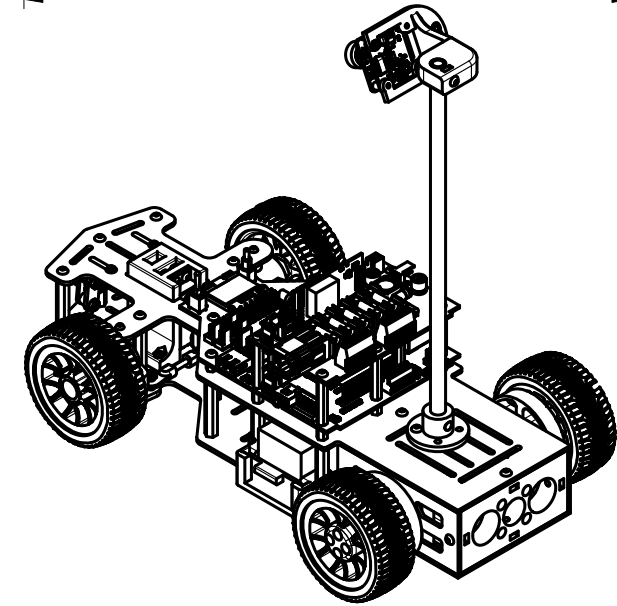
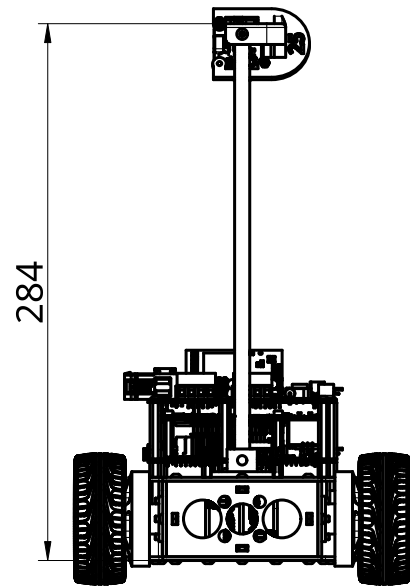
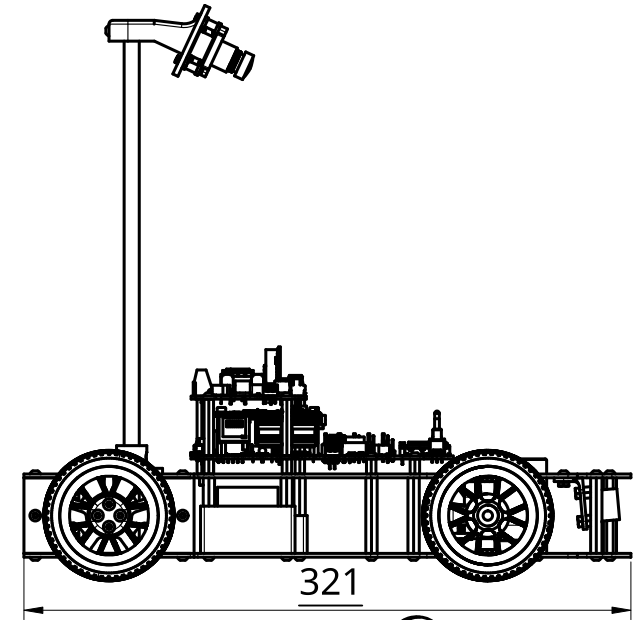
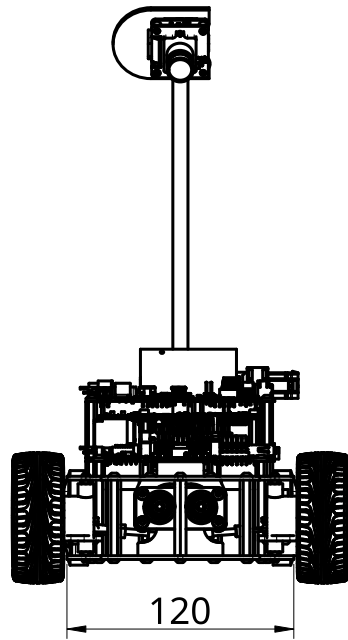


2

1



| | | | |
|---|----------|--------------------------------|--------------------|
| UNLESS OTHERWISE SPECIFIED, DIMENSIONS ARE IN MILLIMETERS | | TITLE CAR ASSEMBLY OVERVIEW | |
| FIRST ANGLE PROJECTION | MATERIAL | SIZE A4 | DWG NO. 1 |
| | | SCALE 1:4 | DATE 2024-06-17 |
| | | | REV 1A |
| | | | SHEET 1 of 21 |

2

1

B

B

A

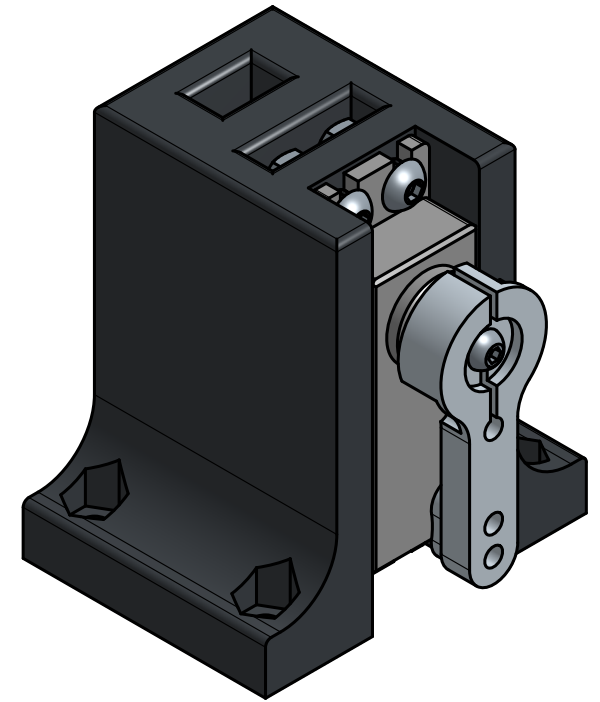
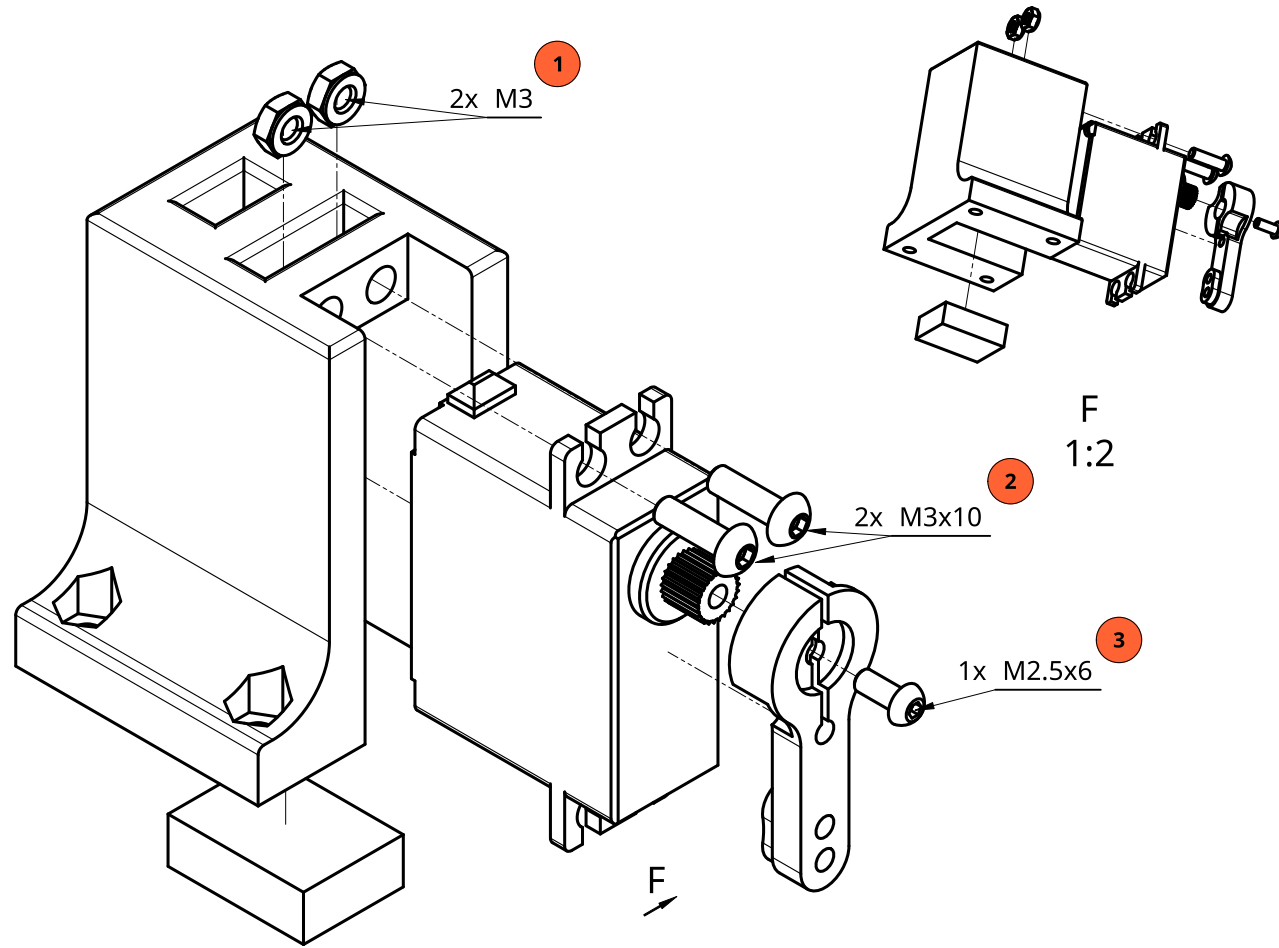
A

2

1

B

B



2:1.5

2:1.5

F
1:2

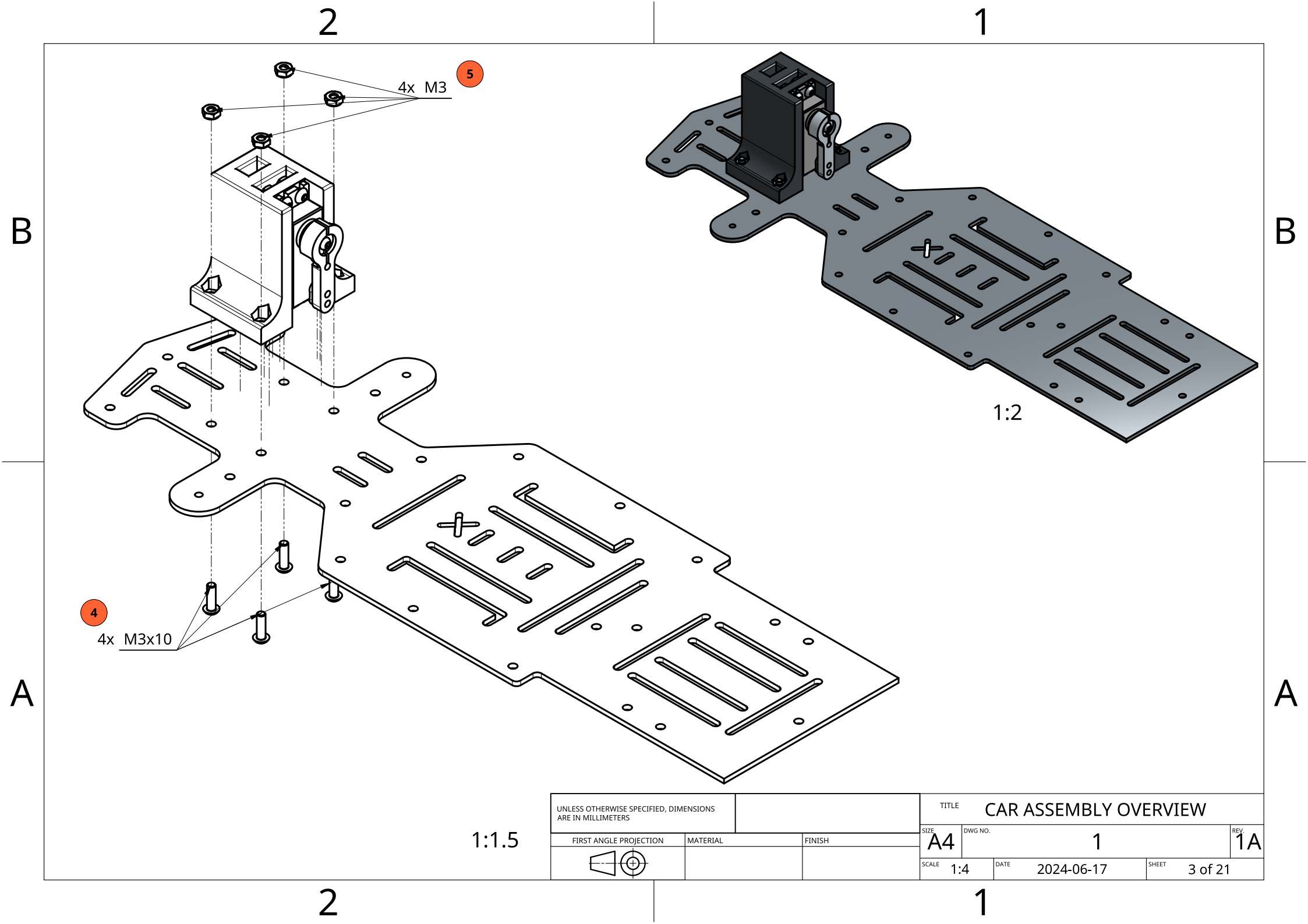
A

A

| | | | |
|---|----------|--------------------------------|------------------|
| UNLESS OTHERWISE SPECIFIED, DIMENSIONS ARE IN MILLIMETERS | | TITLE CAR ASSEMBLY OVERVIEW | |
| FIRST ANGLE PROJECTION | MATERIAL | SIZE A4 | DWG NO. 1 |
| | | SCALE 1:4 | REV. 1A |
| | | DATE 2024-06-17 | SHEET 2 of 21 |

2

1



2

1

4x M3

5

1:2

4x M3x10

4

1:1.5

| | | | |
|---|----------|-----------------------------|---------------|
| UNLESS OTHERWISE SPECIFIED, DIMENSIONS ARE IN MILLIMETERS | | TITLE CAR ASSEMBLY OVERVIEW | |
| FIRST ANGLE PROJECTION | MATERIAL | SCALE A4 | REV. 1A |
| | | DATE 2024-06-17 | SHEET 3 of 21 |

2

1

B

B

A

A

2

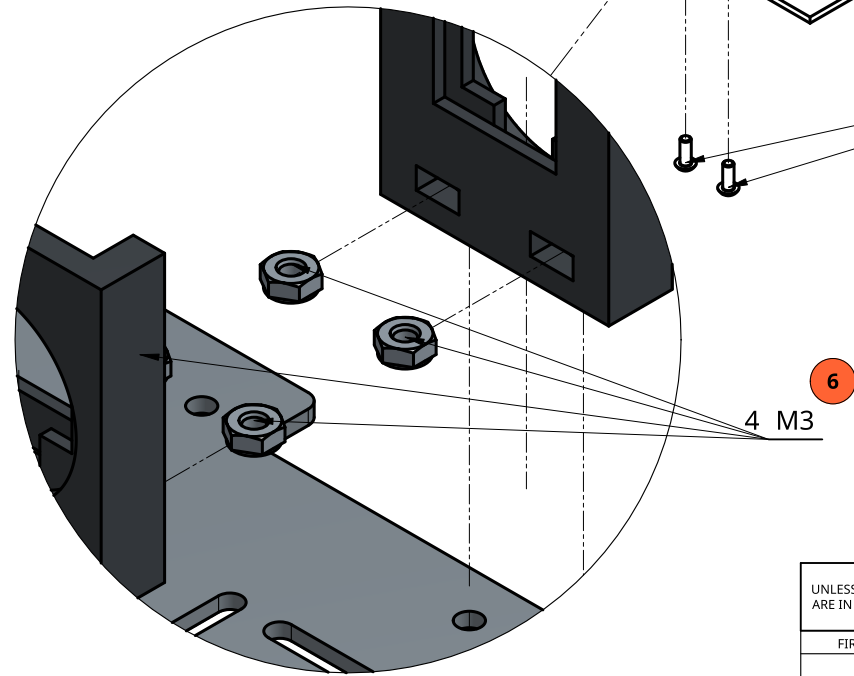
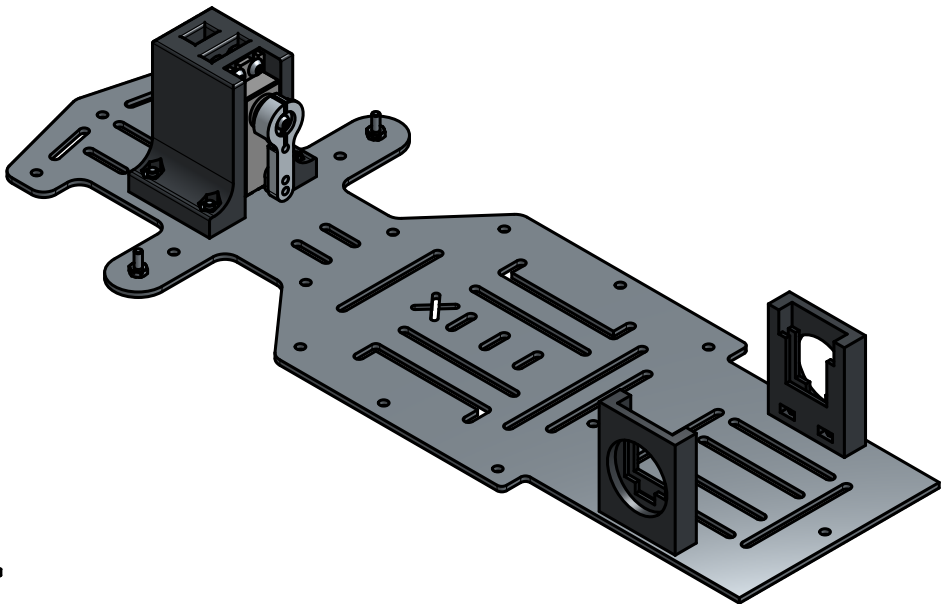
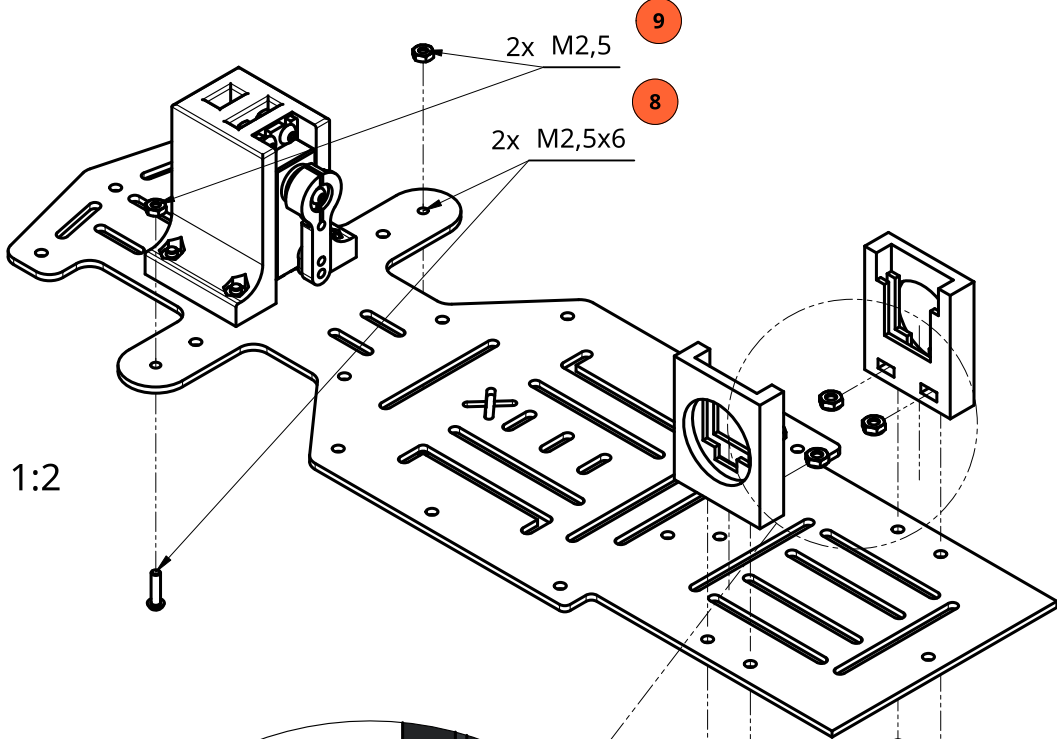
1

B

B

A

A



| | | | |
|---|----------|-----------------------------|---------------|
| UNLESS OTHERWISE SPECIFIED, DIMENSIONS ARE IN MILLIMETERS | | TITLE CAR ASSEMBLY OVERVIEW | |
| FIRST ANGLE PROJECTION | MATERIAL | SIZE A4 | DWG NO. 1 |
| | | SCALE 1:4 | REV. 1A |
| | | DATE 2024-06-17 | SHEET 4 of 21 |

A 1:0.75 2

1

2

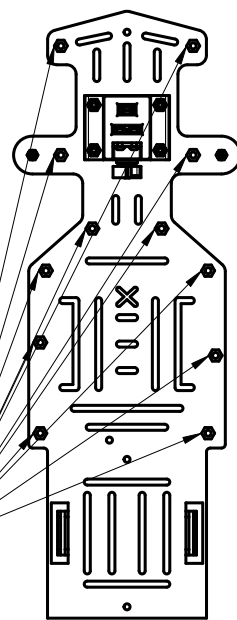
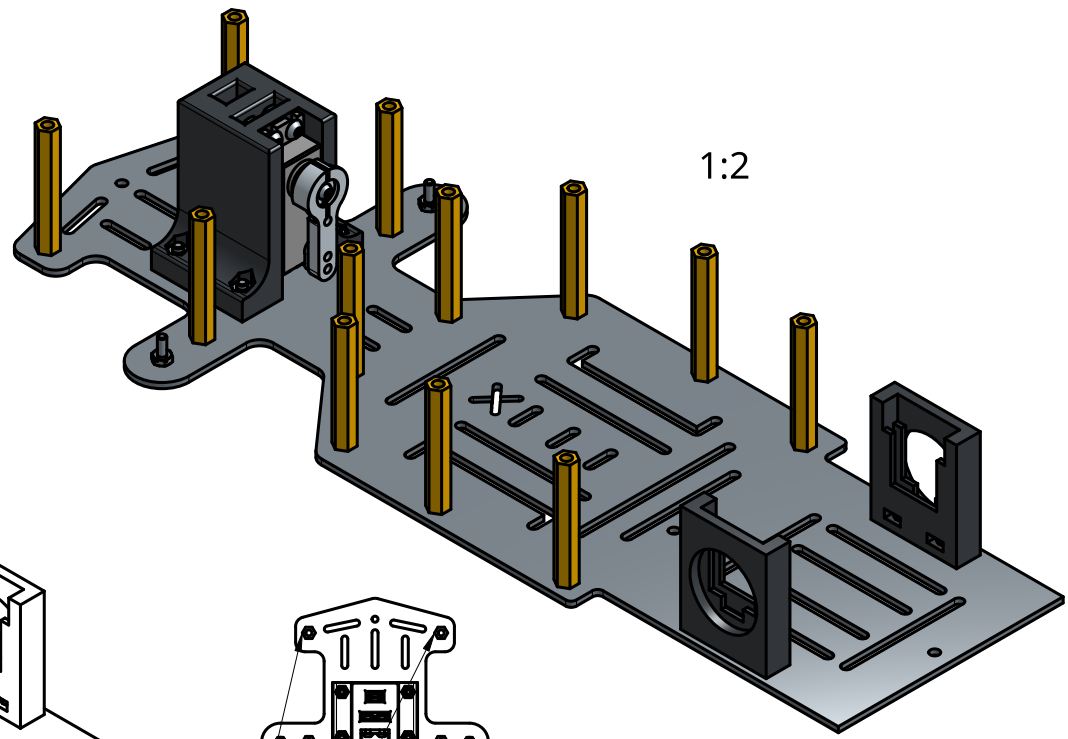
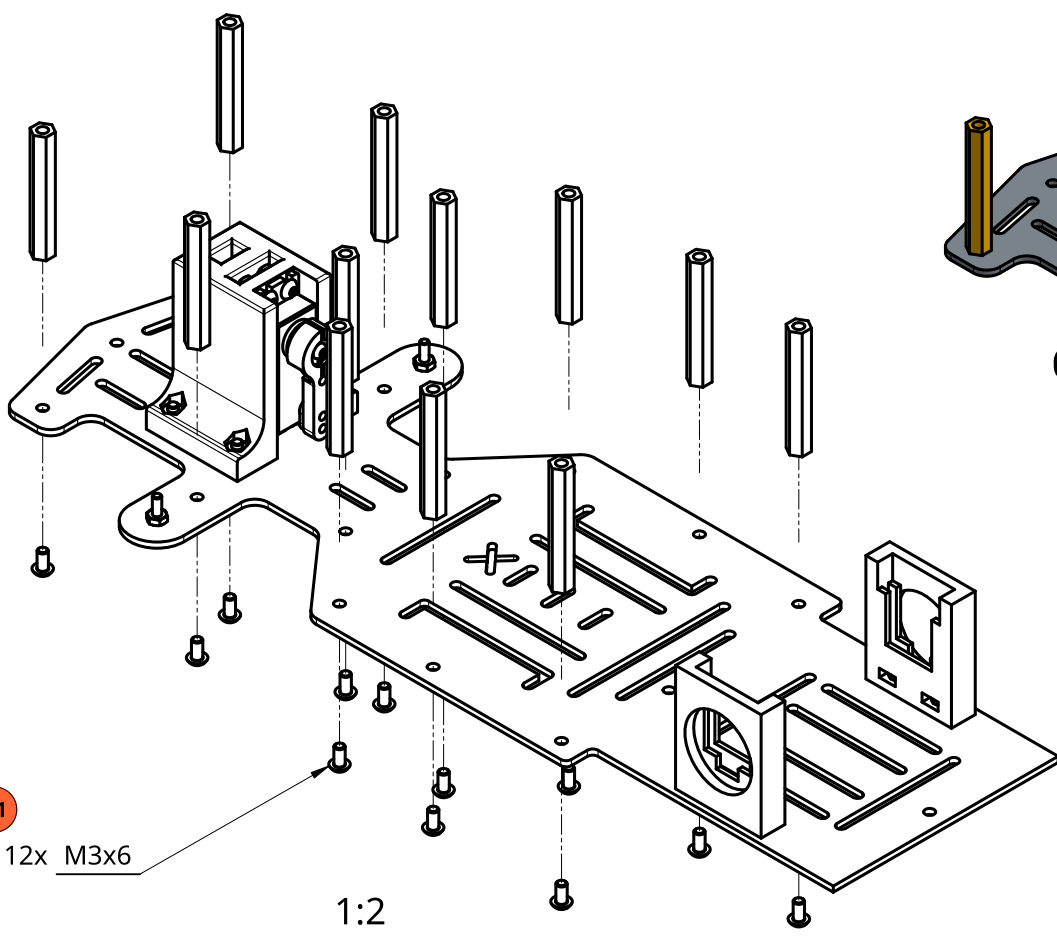
1

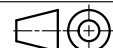
B

B

A

A



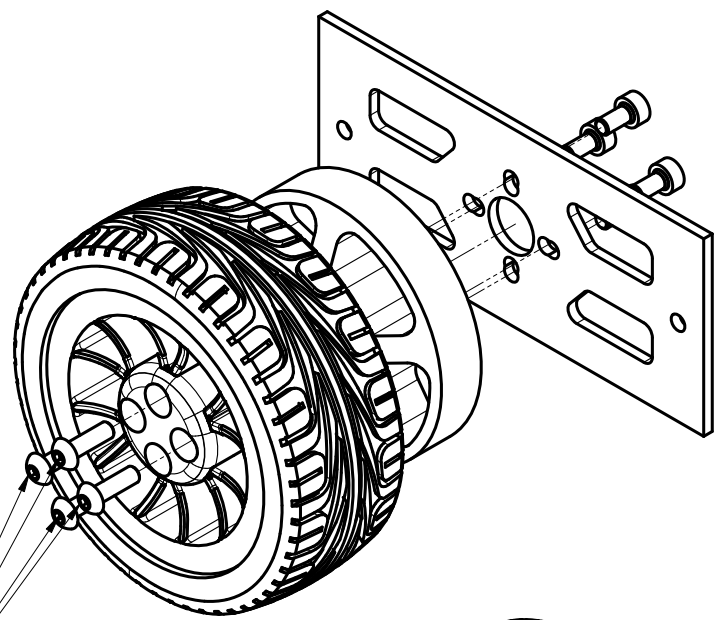
| | | | | | | |
|--|--|----------|--------------------------------|--------------|--------------------|------------------|
| UNLESS OTHERWISE SPECIFIED, DIMENSIONS ARE IN MILLIMETERS | | | TITLE CAR ASSEMBLY OVERVIEW | | | |
| FIRST ANGLE PROJECTION | | MATERIAL | FINISH | SIZE A4 | DWG NO. 1 | REV. 1A |
|  | | | | SCALE 1:4 | DATE 2024-06-17 | SHEET 5 of 21 |

2

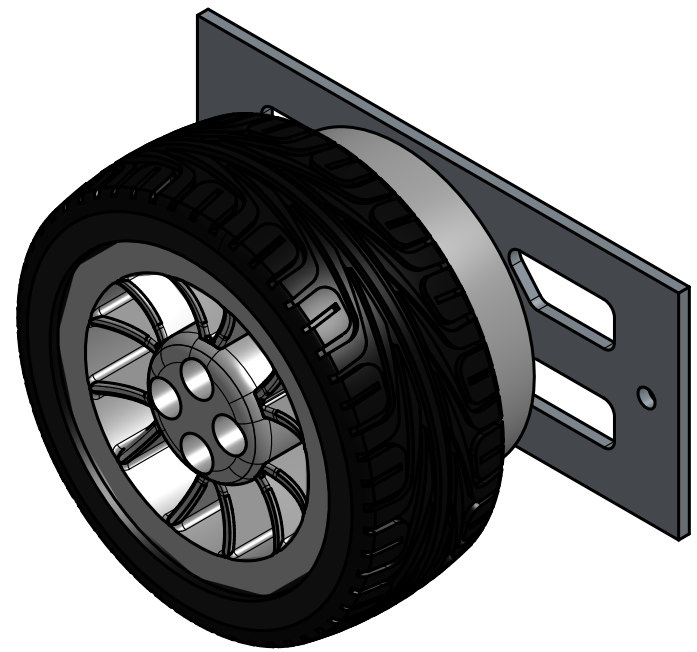
1

2

1



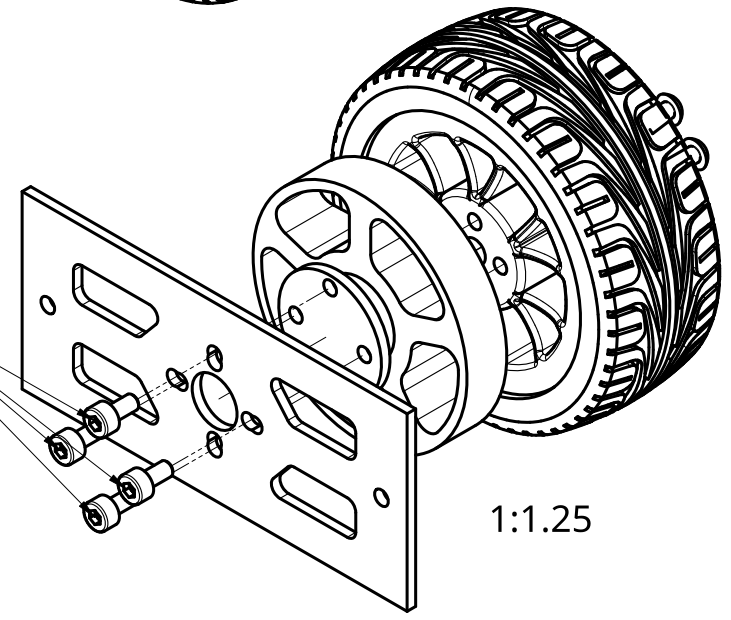
1:1.25



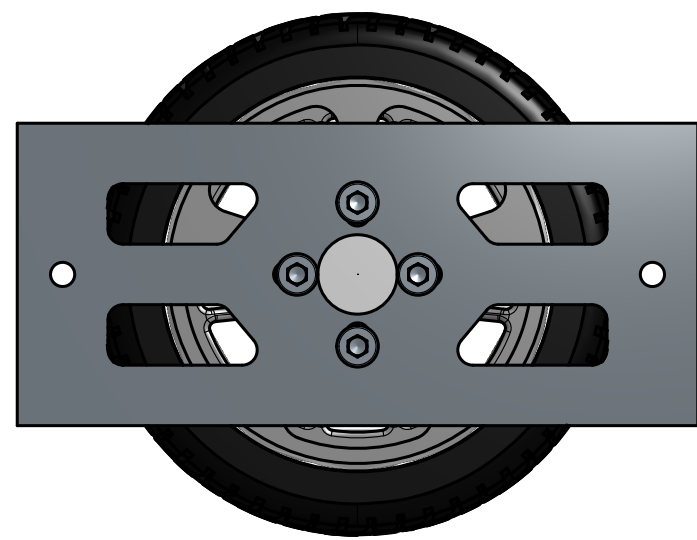
1:1

12
4x M3x10

13
4x M3x6



1:1.25



1:1

B

B

A

A

| | | | |
|---|----------|--------------------------------|------------------|
| UNLESS OTHERWISE SPECIFIED, DIMENSIONS ARE IN MILLIMETERS | | TITLE CAR ASSEMBLY OVERVIEW | |
| FIRST ANGLE PROJECTION | MATERIAL | SIZE A4 | REV 1A |
| | | DWG NO. 1 | |
| | | SCALE 1:4 | SHEET 6 of 21 |
| | | DATE 2024-06-17 | |

2

1

2

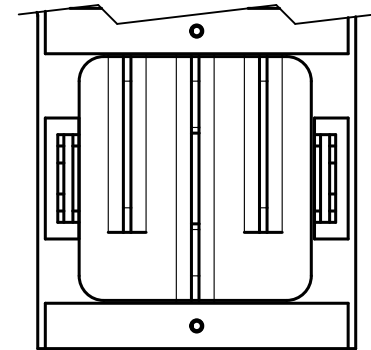
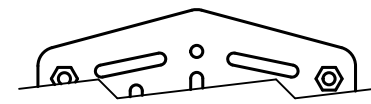
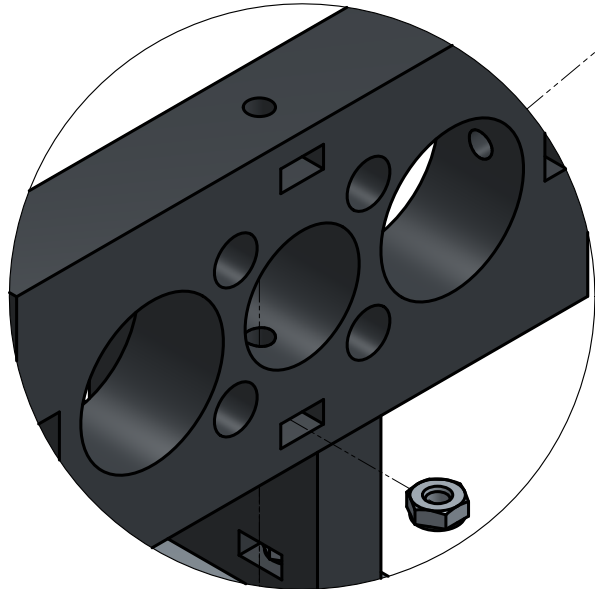
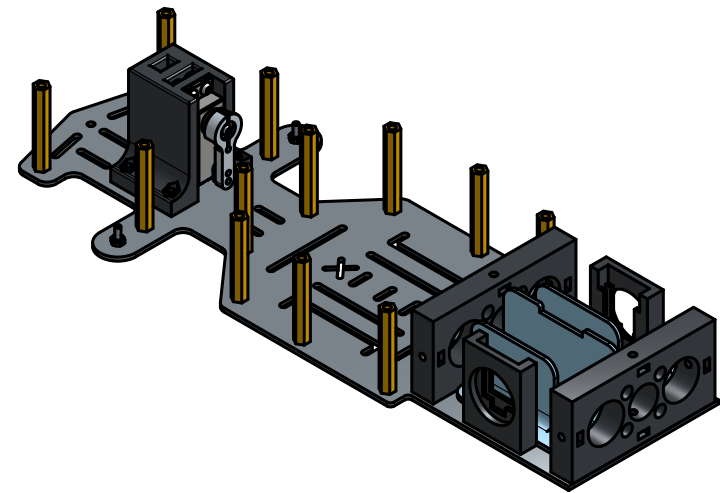
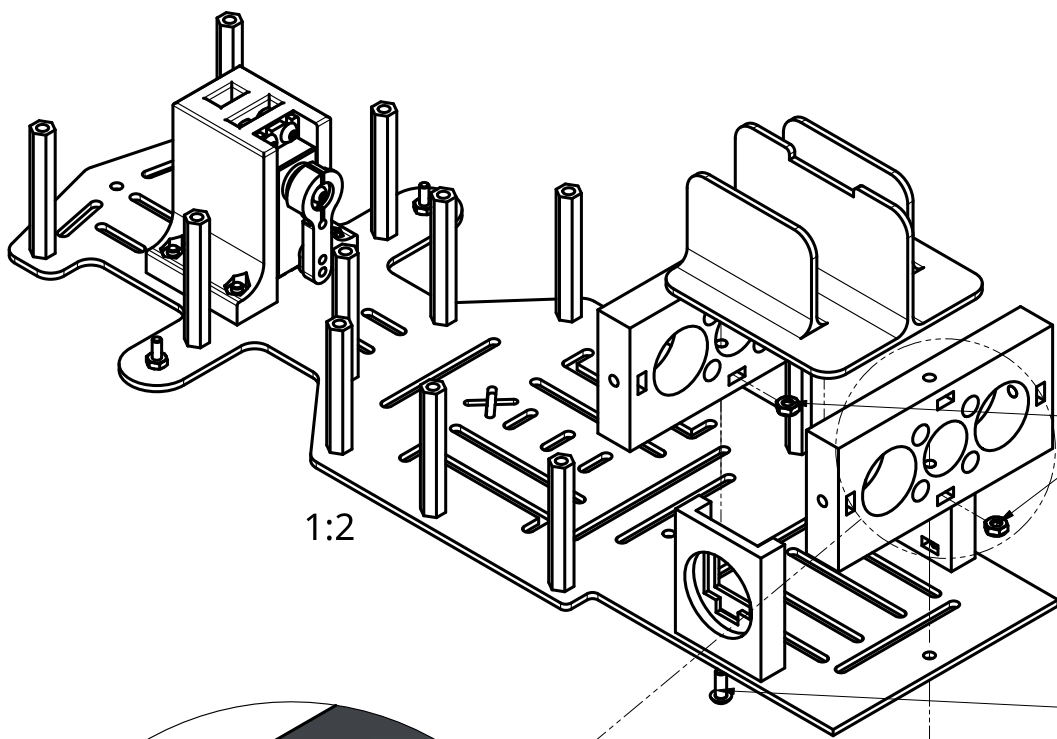
1

B

B

A

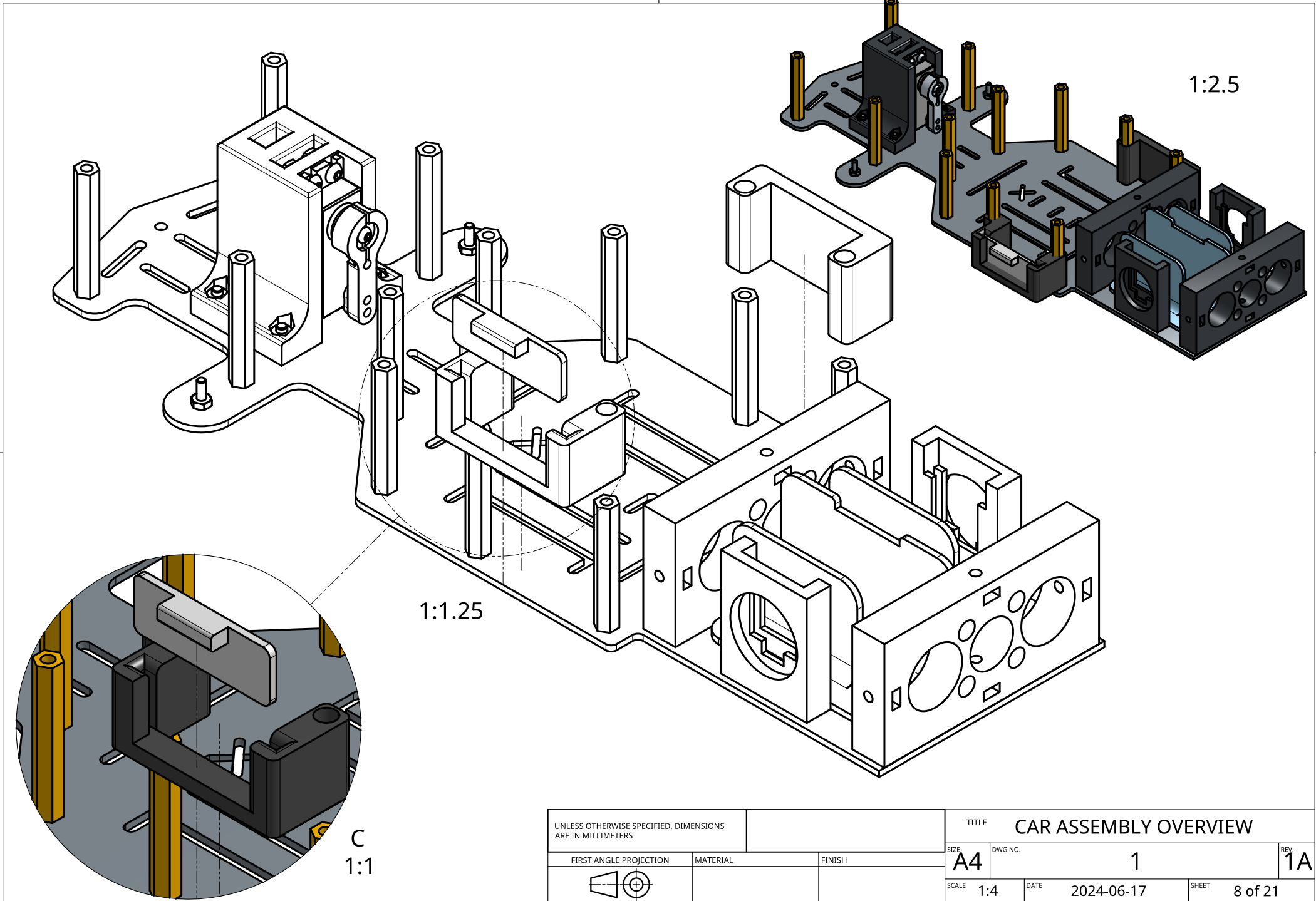
A



| | | | |
|---|----------|--------------------------------|--------------------|
| UNLESS OTHERWISE SPECIFIED, DIMENSIONS ARE IN MILLIMETERS | | TITLE CAR ASSEMBLY OVERVIEW | |
| FIRST ANGLE PROJECTION | MATERIAL | SIZE A4 | REV. 1A |
| | | SCALE 1:4 | DATE 2024-06-17 |
| | | SHEET 7 of 21 | |

2

1



| | | | | | |
|---|----------|--------|-----------------------------|-----------------|---------------|
| UNLESS OTHERWISE SPECIFIED, DIMENSIONS ARE IN MILLIMETERS | | | TITLE CAR ASSEMBLY OVERVIEW | | |
| FIRST ANGLE PROJECTION | MATERIAL | FINISH | SIZE A4 | DWG. NO. 1 | REV. 1A |
| | | | SCALE 1:4 | DATE 2024-06-17 | SHEET 8 of 21 |

2

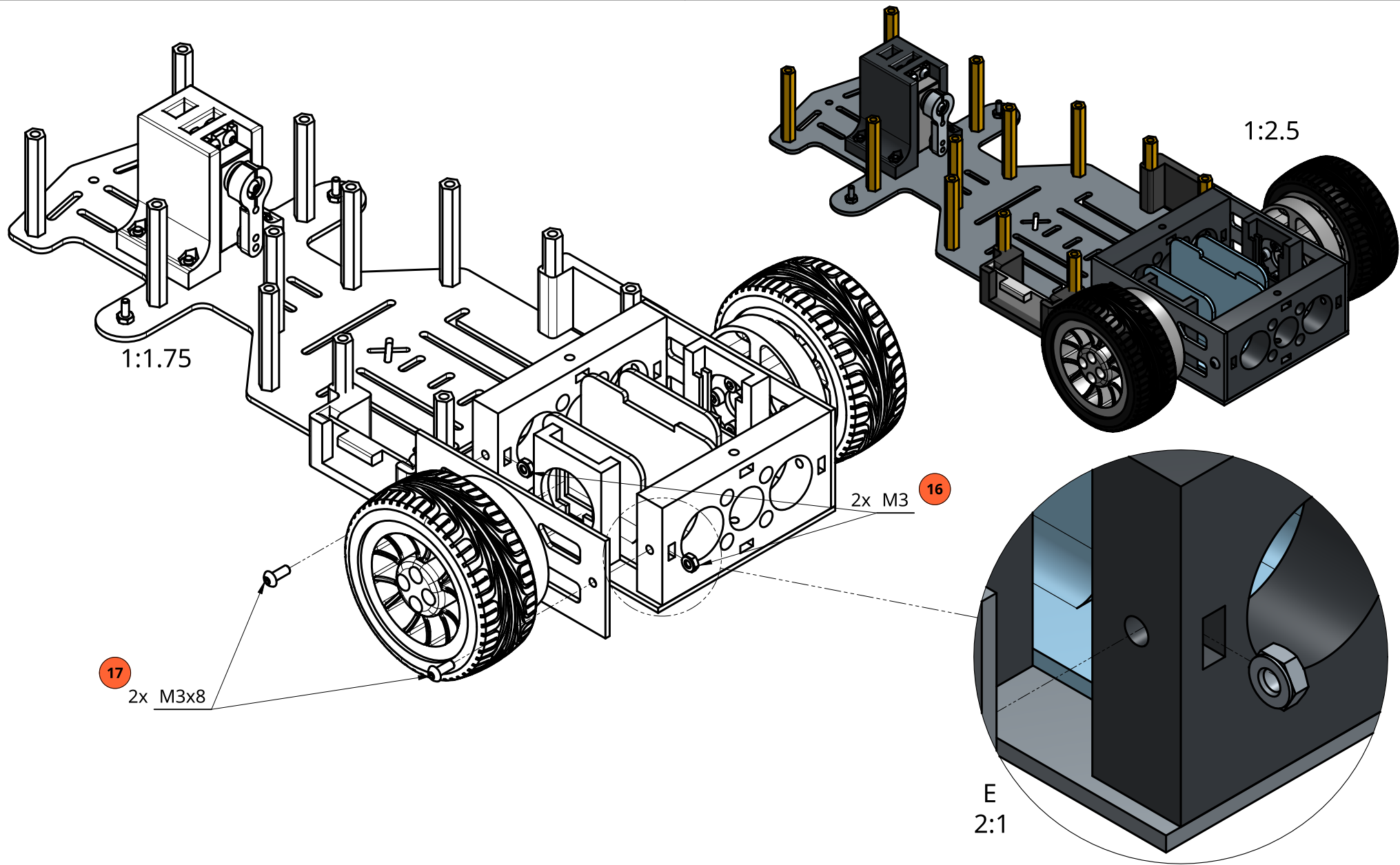
1


B

B

A

A



| | | | | | |
|---|----------|--------|-----------------------------|-----------------|---------------|
| UNLESS OTHERWISE SPECIFIED, DIMENSIONS ARE IN MILLIMETERS | | | TITLE CAR ASSEMBLY OVERVIEW | | |
| FIRST ANGLE PROJECTION | MATERIAL | FINISH | SIZE A4 | DWG NO. 1 | REV. 1A |
|  | | | SCALE 1:4 | DATE 2024-06-17 | SHEET 9 of 21 |

2

1

2

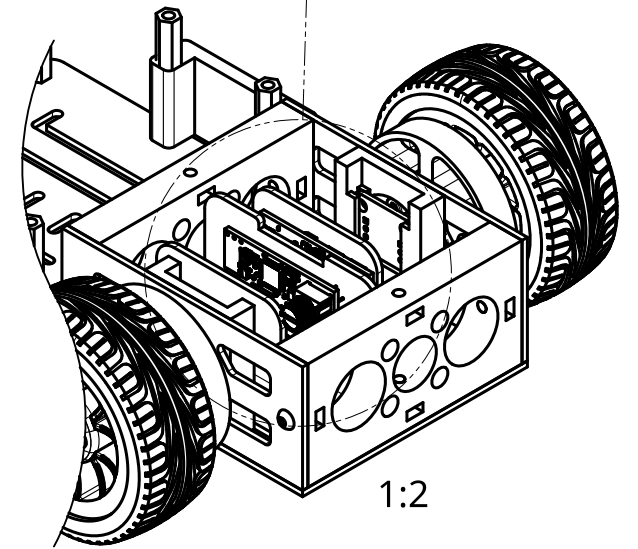
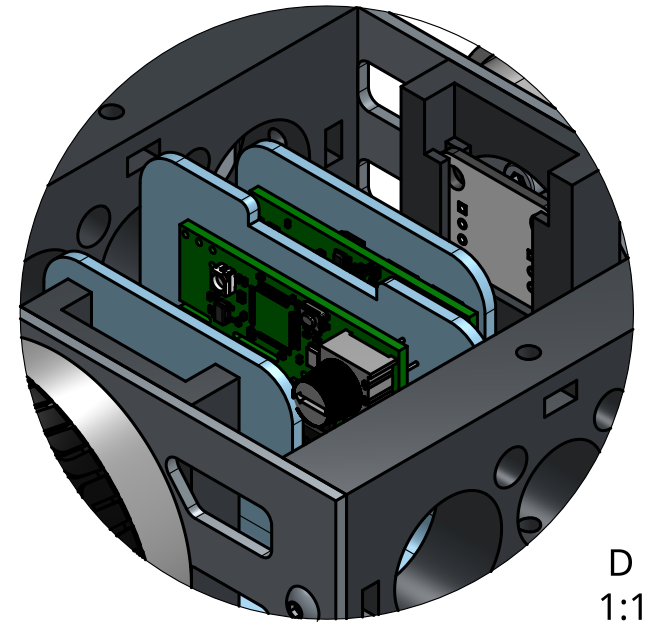
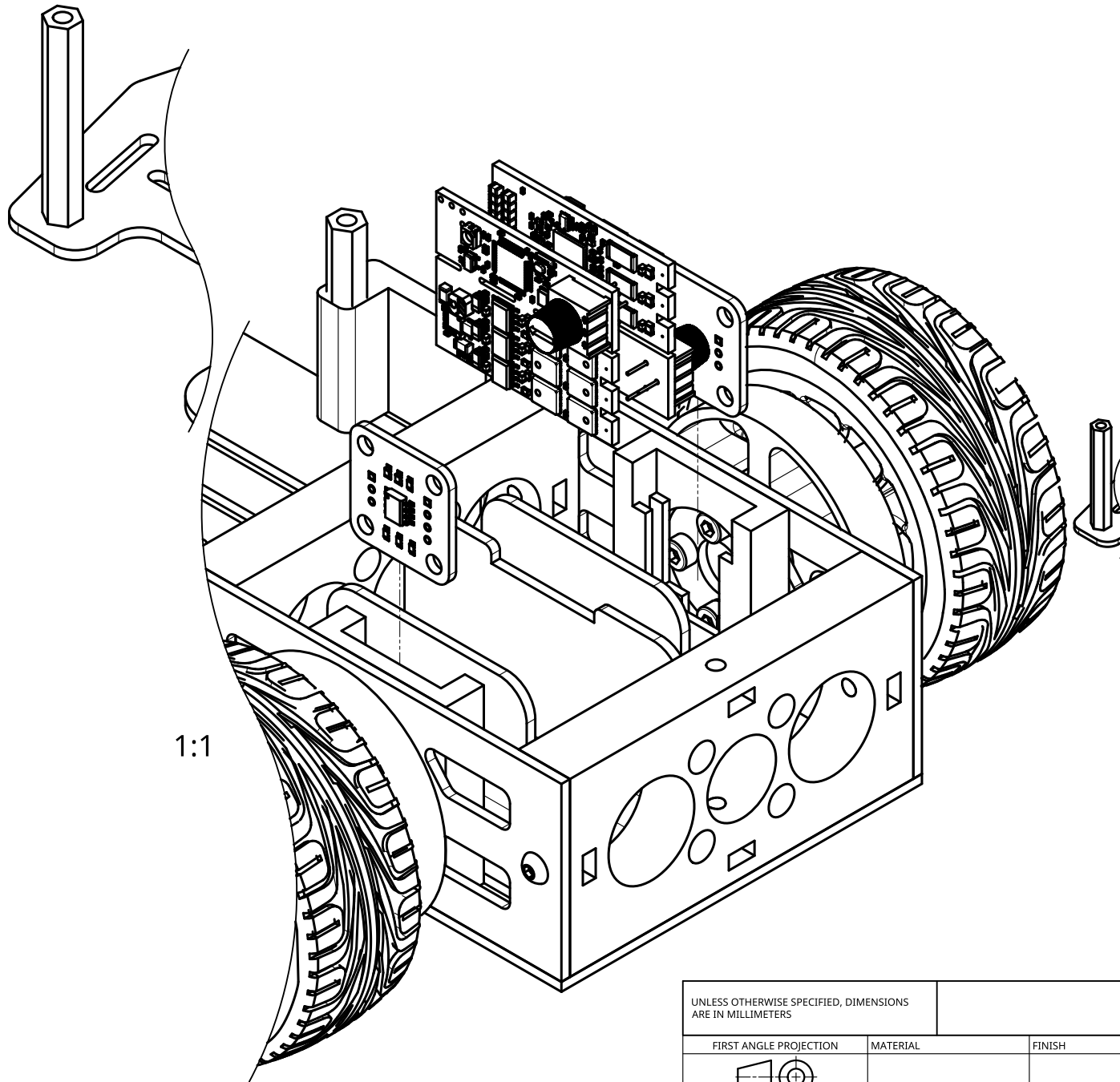
1

B

B

A

A



| | | | | | |
|---|----------|--------|--------------------------------|--------------------|-------------------|
| UNLESS OTHERWISE SPECIFIED, DIMENSIONS ARE IN MILLIMETERS | | | TITLE CAR ASSEMBLY OVERVIEW | | |
| FIRST ANGLE PROJECTION | MATERIAL | FINISH | SIZE A4 | DWG NO. 1 | REV. 1A |
| | | | SCALE 1:4 | DATE 2024-06-17 | SHEET 10 of 21 |

2

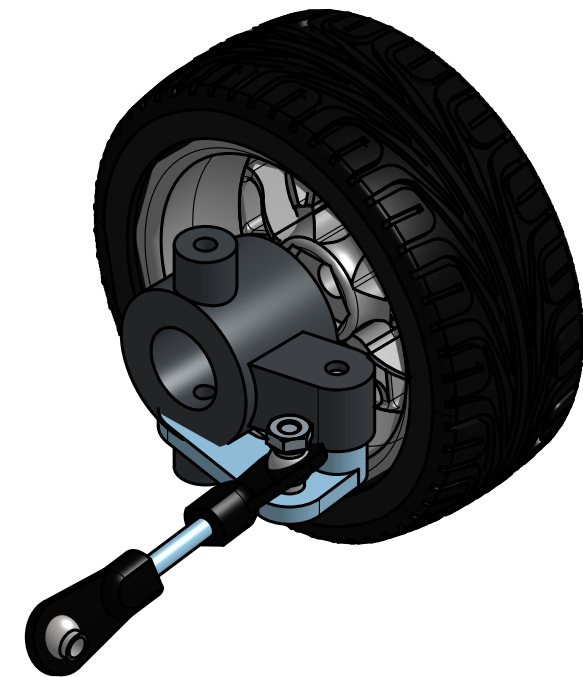
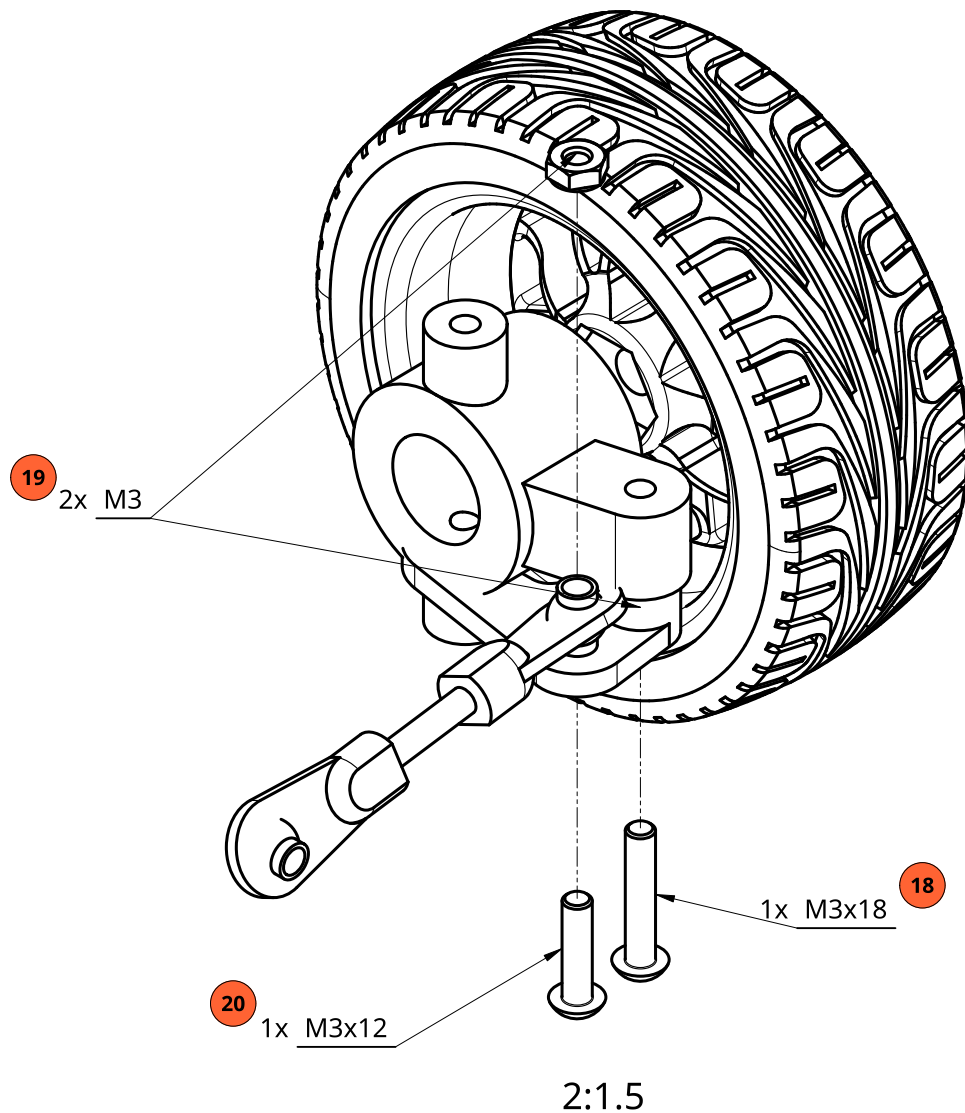
1

2

1

B

B



1:1

A

A

2

1

| | | | |
|---|----------|-----------------------------|----------------|
| UNLESS OTHERWISE SPECIFIED, DIMENSIONS ARE IN MILLIMETERS | | TITLE CAR ASSEMBLY OVERVIEW | |
| FIRST ANGLE PROJECTION | MATERIAL | SIZE A4 | DWG. NO. 1 |
| | | SCALE 1:4 | REV. 1A |
| | | DATE 2024-06-17 | SHEET 11 of 21 |

2

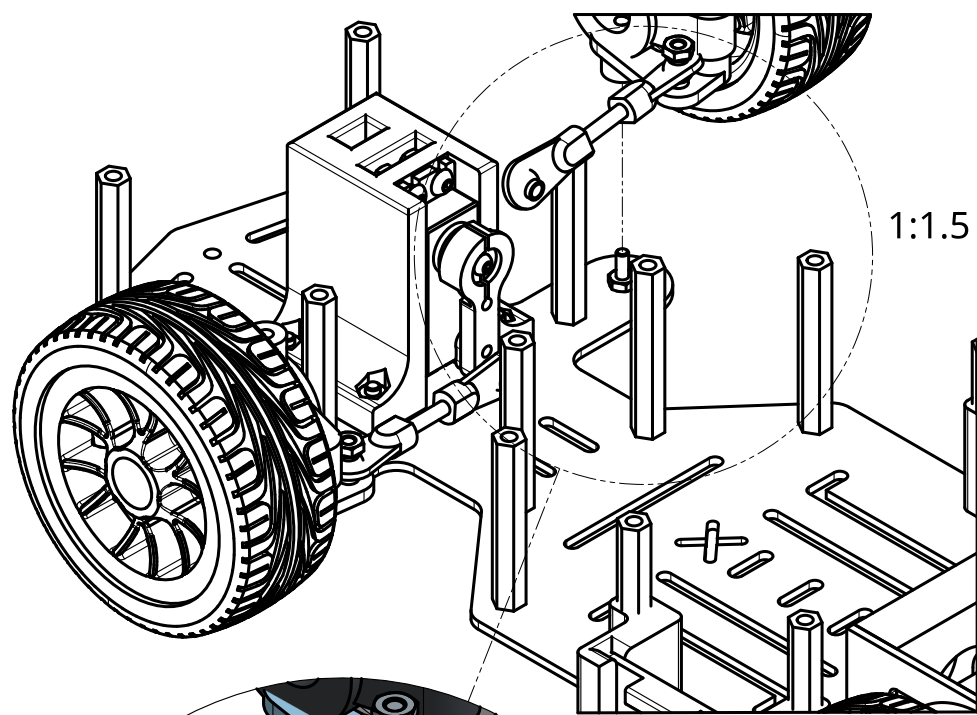
1

B

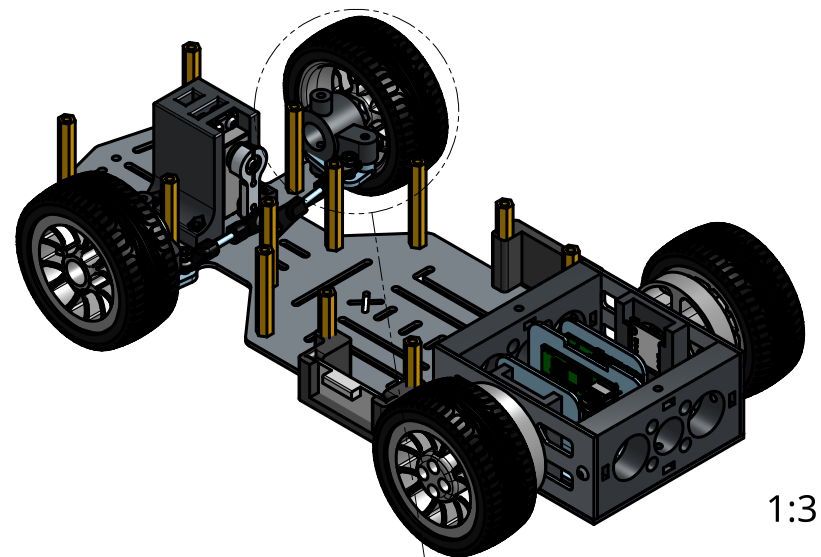
B

A

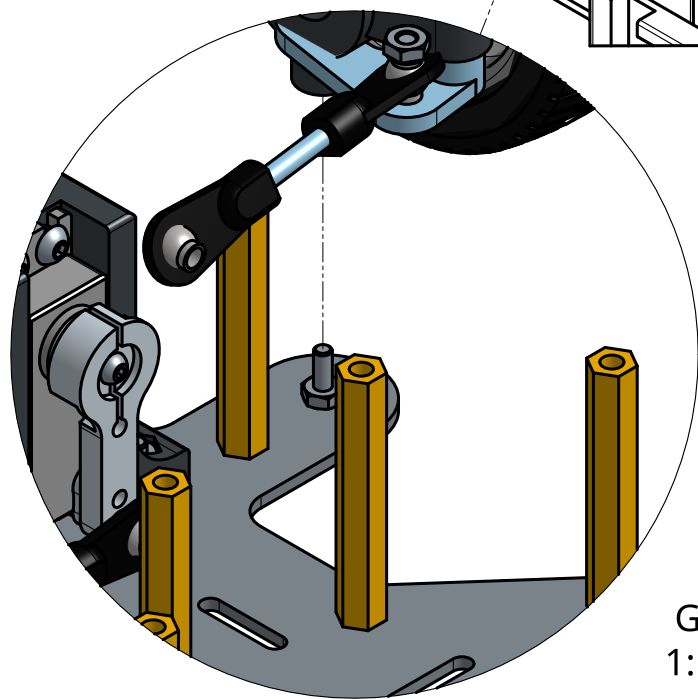
A



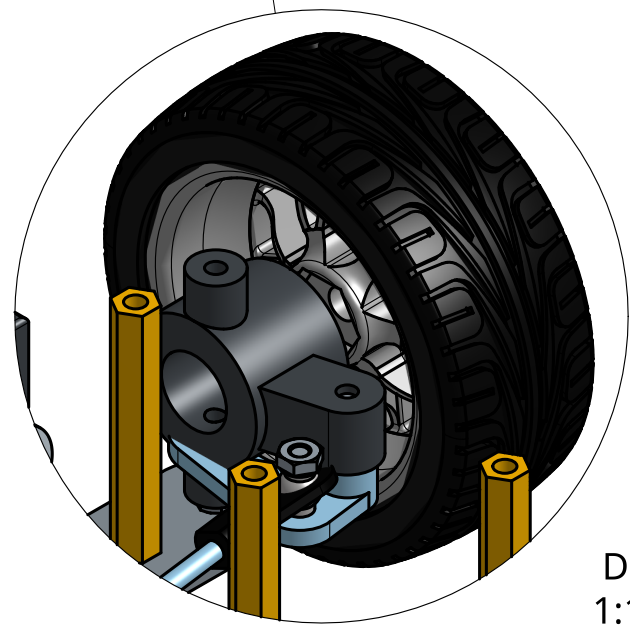
1:1.5



1:3



G
1:1

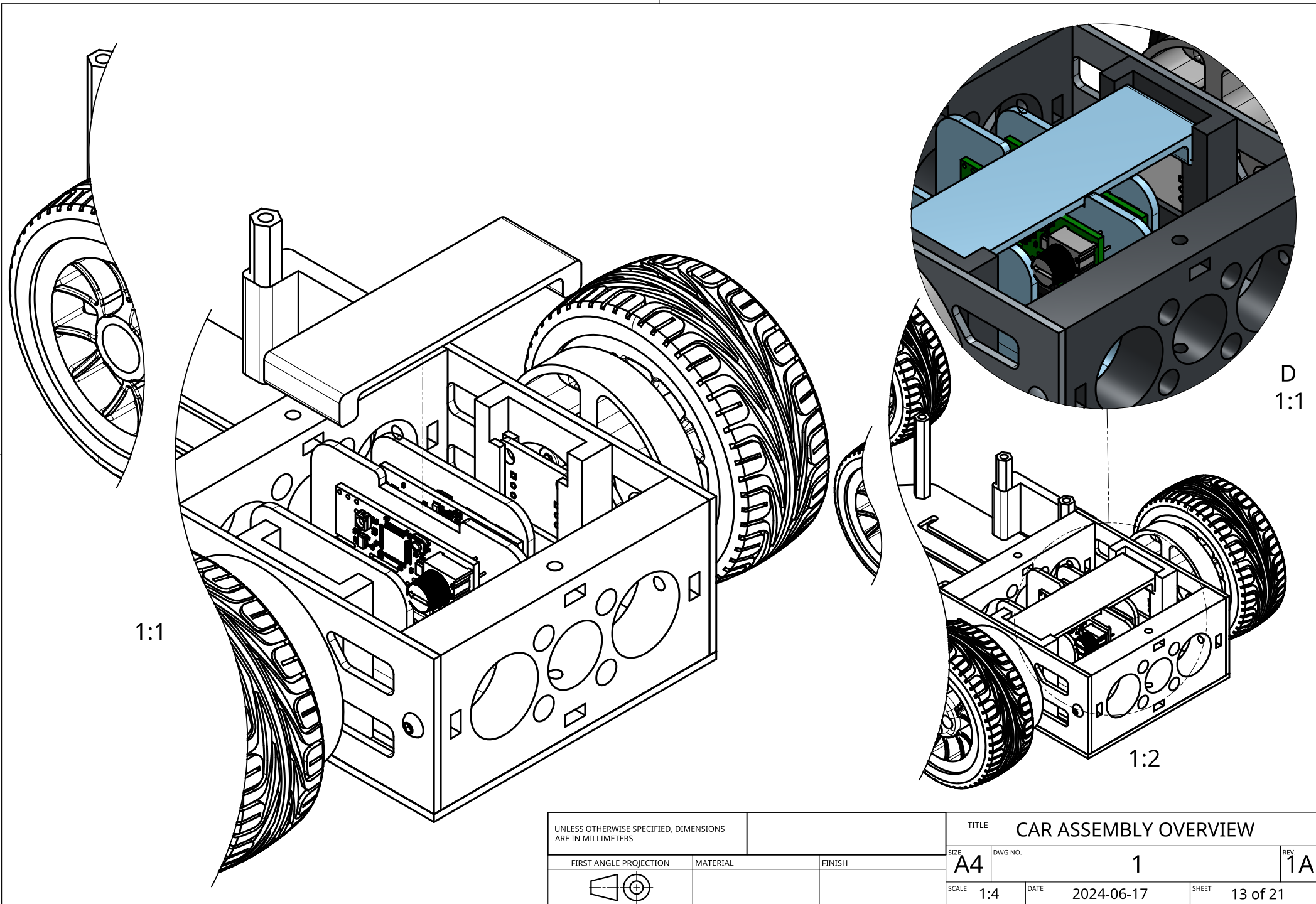


D
1:1

| | | | | | |
|---|----------|--------|--------------------------------|--------------------|-------------------|
| UNLESS OTHERWISE SPECIFIED, DIMENSIONS ARE IN MILLIMETERS | | | TITLE CAR ASSEMBLY OVERVIEW | | |
| FIRST ANGLE PROJECTION | MATERIAL | FINISH | SIZE A4 | DWG NO. 1 | REV. 1A |
| | | | SCALE 1:4 | DATE 2024-06-17 | SHEET 12 of 21 |

2

1



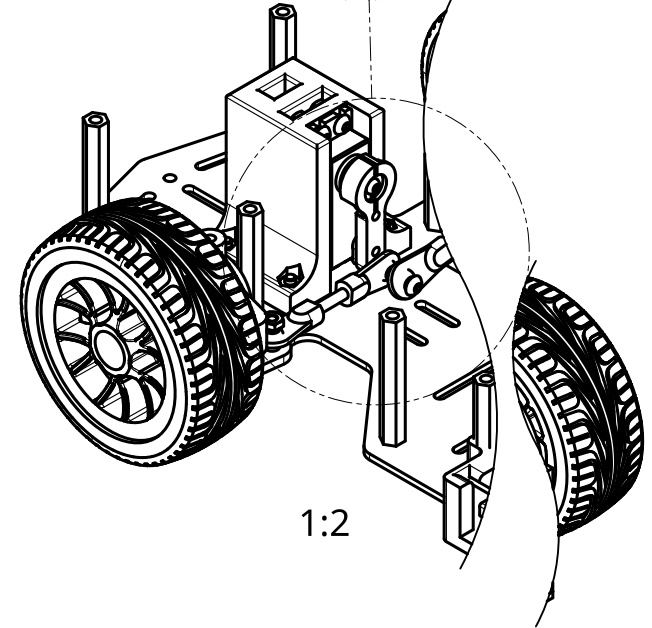
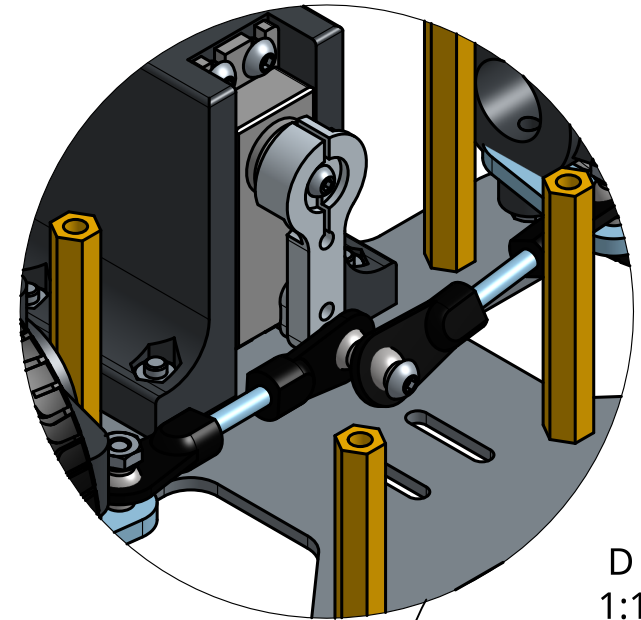
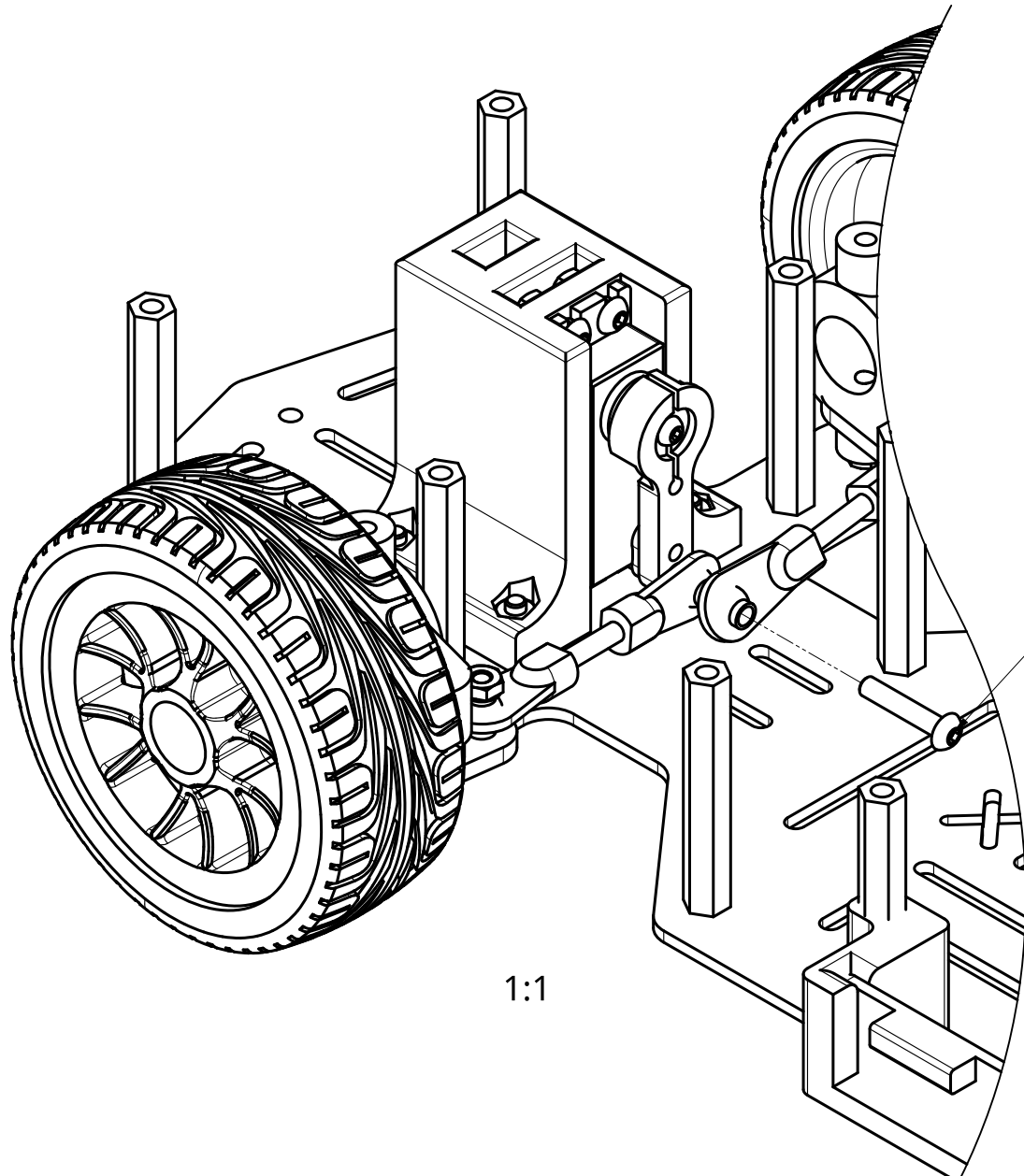
| | | | | | |
|---|----------|--------|--------------------------------|--------------------|-------------------|
| UNLESS OTHERWISE SPECIFIED, DIMENSIONS ARE IN MILLIMETERS | | | TITLE CAR ASSEMBLY OVERVIEW | | |
| FIRST ANGLE PROJECTION | MATERIAL | FINISH | SIZE A4 | DWG NO. 1 | REV. 1A |
| | | | SCALE 1:4 | DATE 2024-06-17 | SHEET 13 of 21 |

2

1

B

B



A

A

| | | | | | |
|---|----------|--------|--------------------------------|--------------------|-------------------|
| UNLESS OTHERWISE SPECIFIED, DIMENSIONS ARE IN MILLIMETERS | | | TITLE CAR ASSEMBLY OVERVIEW | | |
| FIRST ANGLE PROJECTION | MATERIAL | FINISH | SIZE A4 | DWG. NO. 1 | REV. 1A |
| | | | SCALE 1:4 | DATE 2024-06-17 | SHEET 14 of 21 |

2

1

2

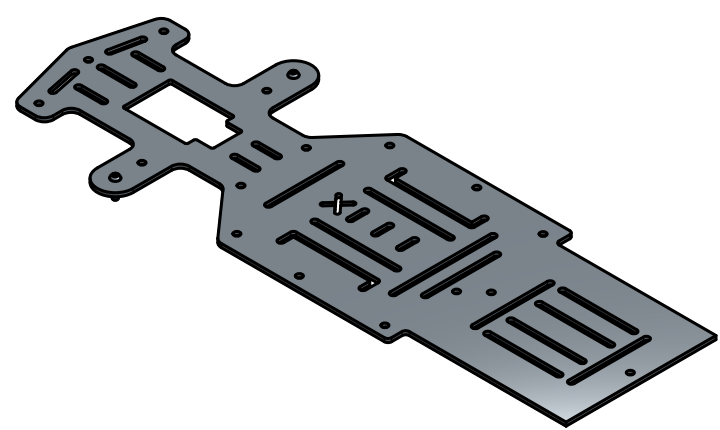
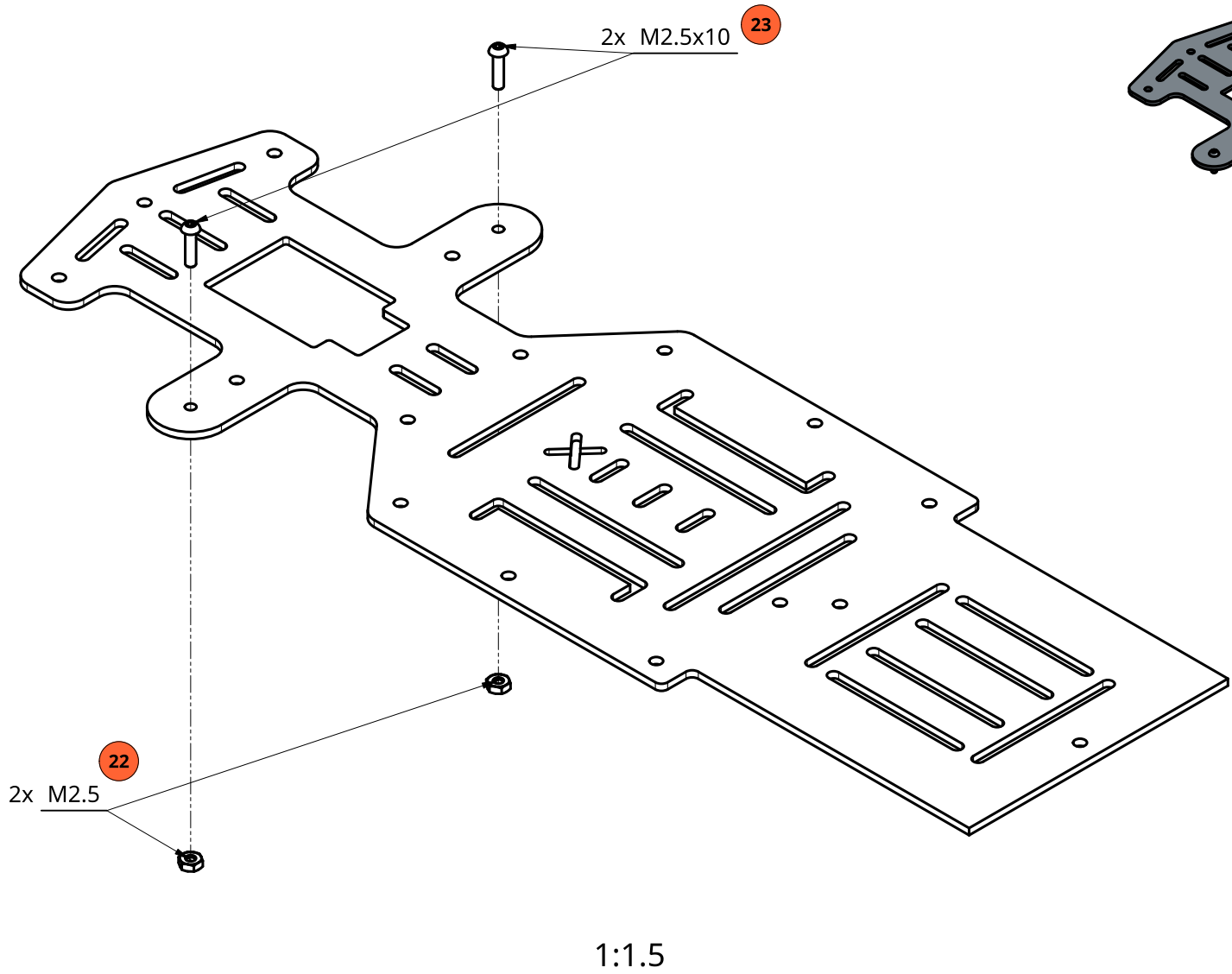
1

B

B

A

A



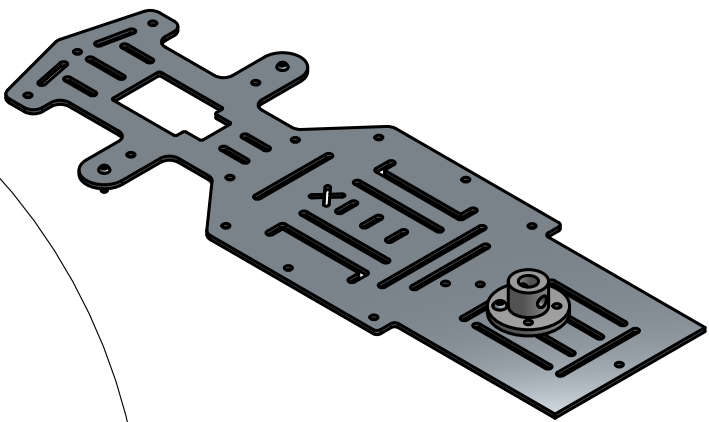
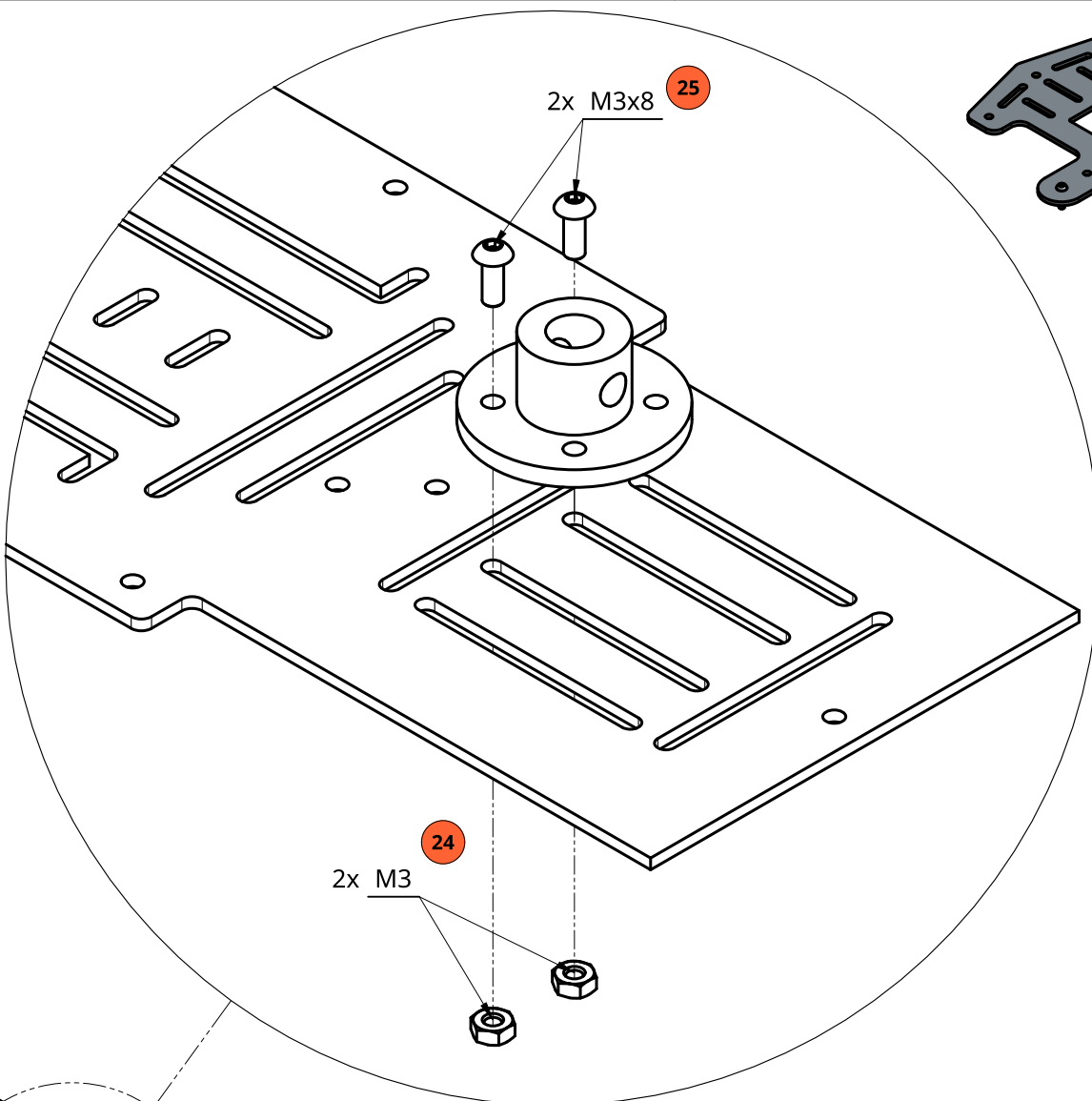
| | | | |
|---|----------|-----------------------------|----------------|
| UNLESS OTHERWISE SPECIFIED, DIMENSIONS ARE IN MILLIMETERS | | TITLE CAR ASSEMBLY OVERVIEW | |
| FIRST ANGLE PROJECTION | MATERIAL | SIZE A4 | DWG NO. 1 |
| | | SCALE 1:4 | REV. 1A |
| | | DATE 2024-06-17 | SHEET 15 of 21 |

2

1

2

1



1:3

H
1:1

| | | | |
|---|----------|--------------------------------|-------------------|
| UNLESS OTHERWISE SPECIFIED, DIMENSIONS ARE IN MILLIMETERS | | TITLE CAR ASSEMBLY OVERVIEW | |
| FIRST ANGLE PROJECTION | MATERIAL | SIZE A4 | DWG NO. 1 |
| | | SCALE 1:4 | REV. 1A |
| | | DATE 2024-06-17 | SHEET 16 of 21 |

2

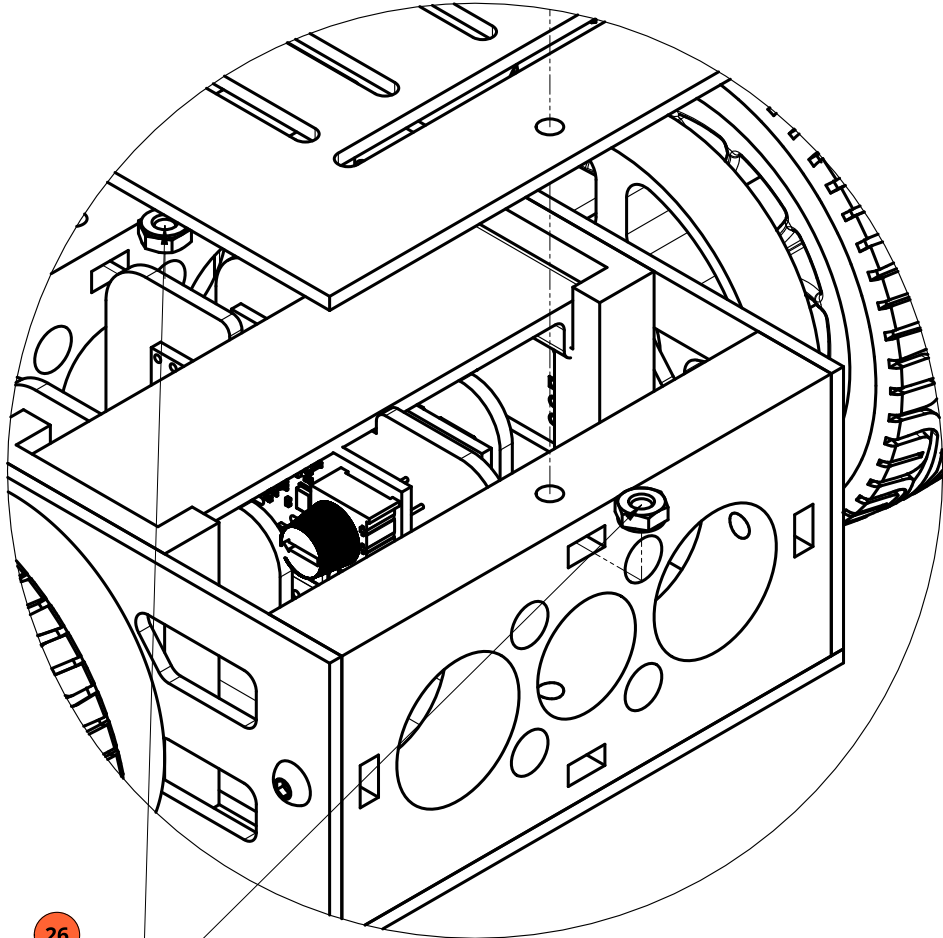
1

B

B

A

A

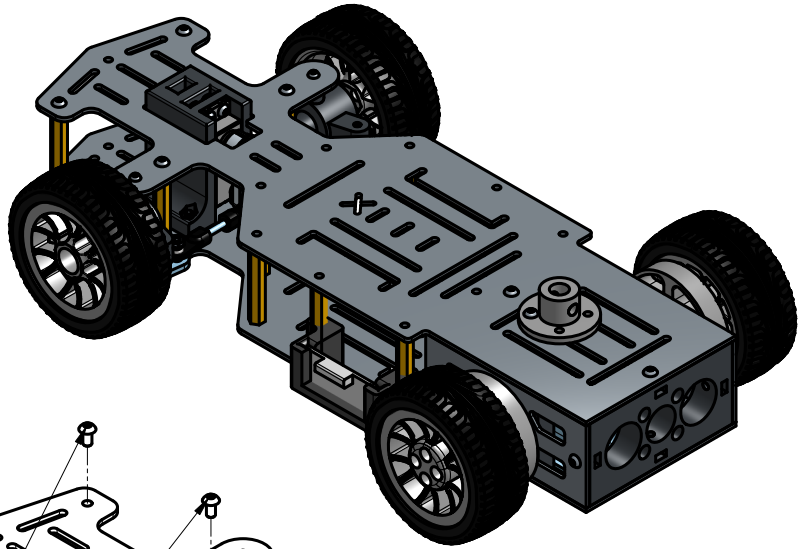


26

2x M3

J
2:1.75

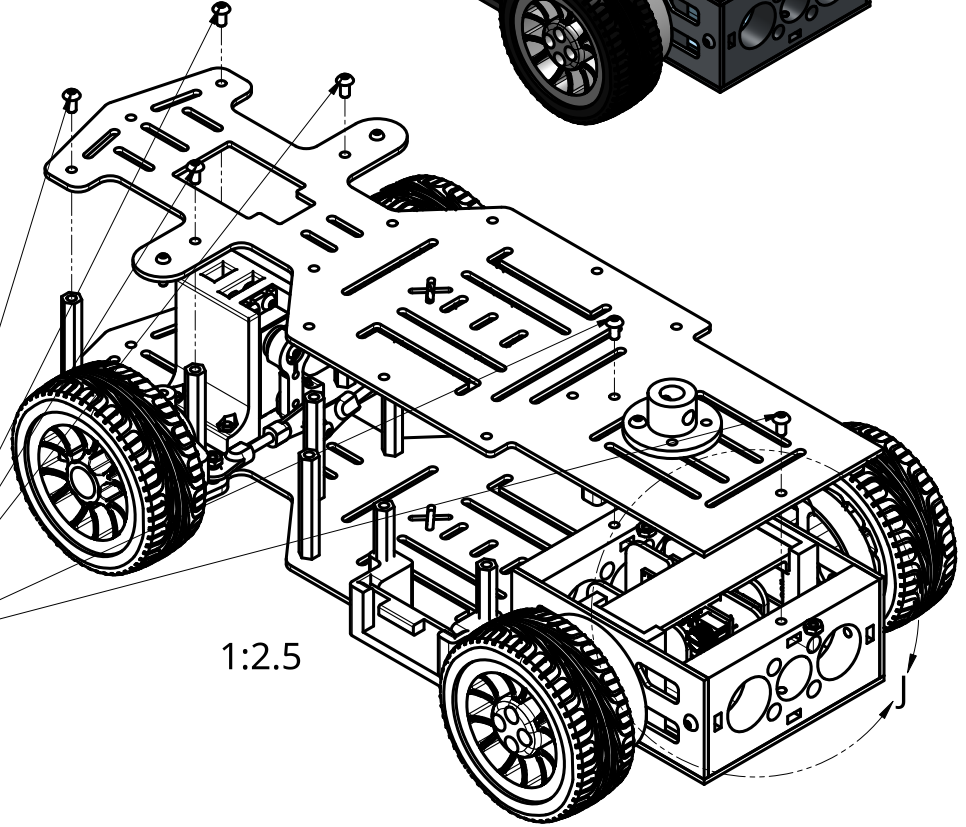
1:3



27

6x M3x6

1:2.5



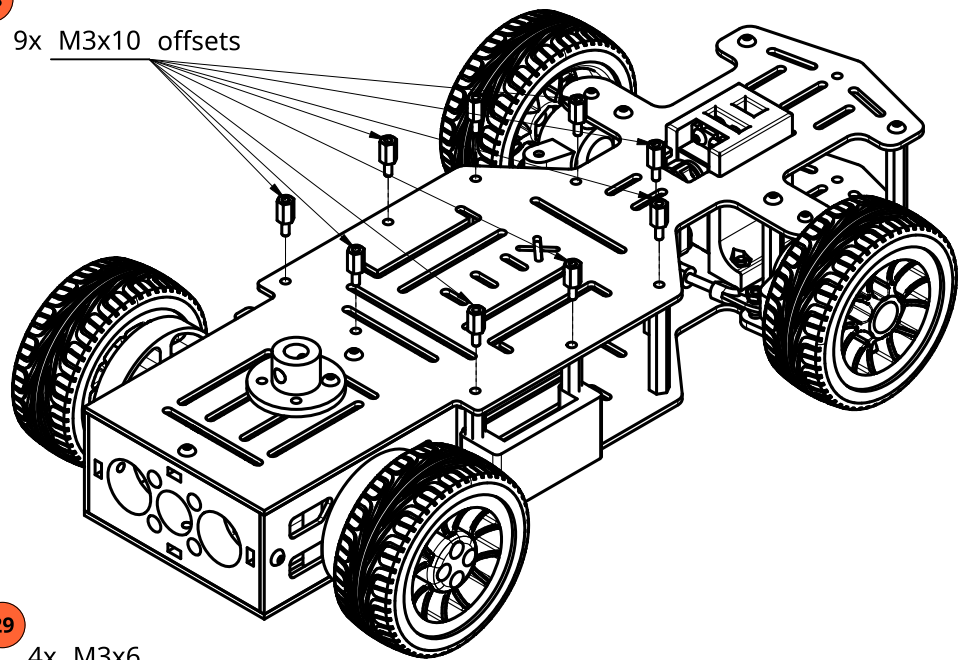
| | | | | | |
|---|----------|--------|--------------------------------|--------------------|-------------------|
| UNLESS OTHERWISE SPECIFIED, DIMENSIONS ARE IN MILLIMETERS | | | TITLE CAR ASSEMBLY OVERVIEW | | |
| FIRST ANGLE PROJECTION | MATERIAL | FINISH | SIZE A4 | DWG NO. 1 | REV. 1A |
| | | | SCALE 1:4 | DATE 2024-06-17 | SHEET 17 of 21 |

2

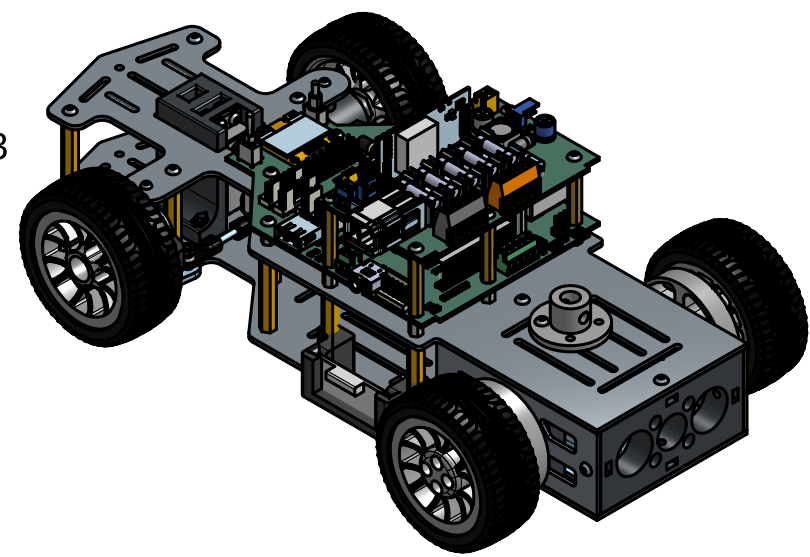
1

28

9x M3x10 offsets



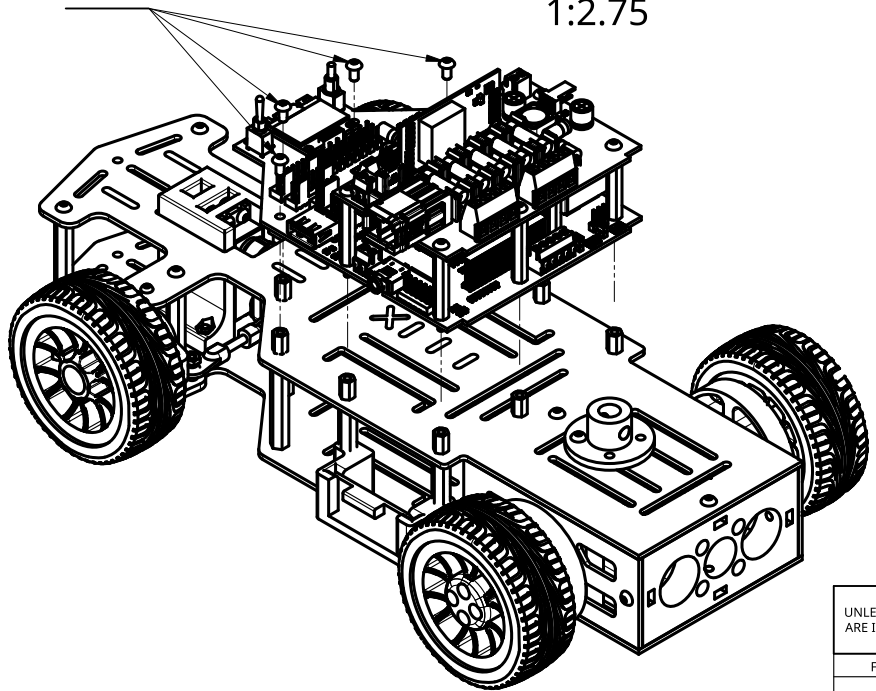
1:3



29

4x M3x6

1:2.75



| | | | |
|---|----------|--------------------------------|-------------------|
| UNLESS OTHERWISE SPECIFIED, DIMENSIONS ARE IN MILLIMETERS | | TITLE CAR ASSEMBLY OVERVIEW | |
| FIRST ANGLE PROJECTION | MATERIAL | SCALE A4 | REV. 1A |
| | | DATE 2024-06-17 | SHEET 18 of 21 |

2

1

B

B

A

A

2

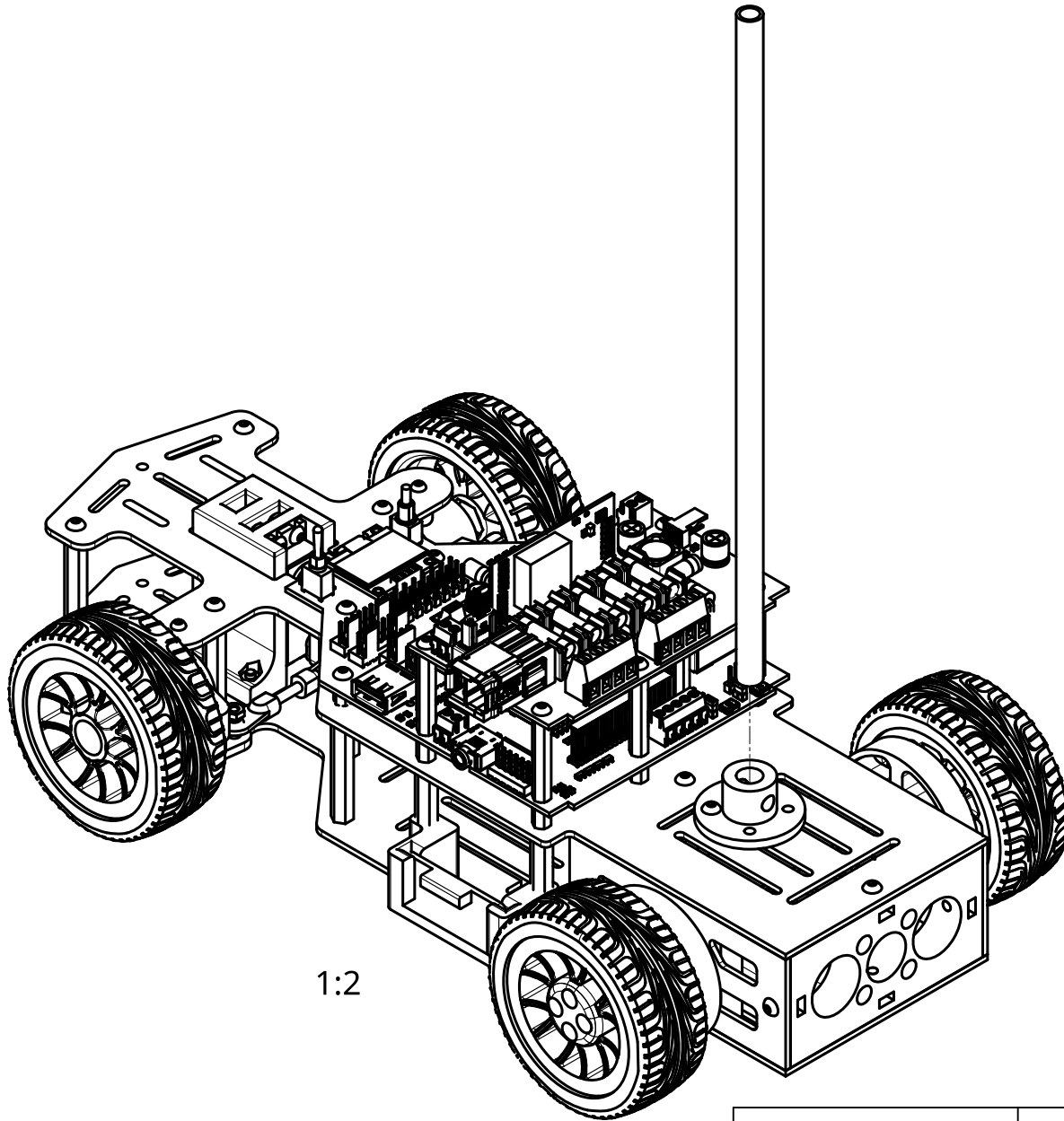
1

B

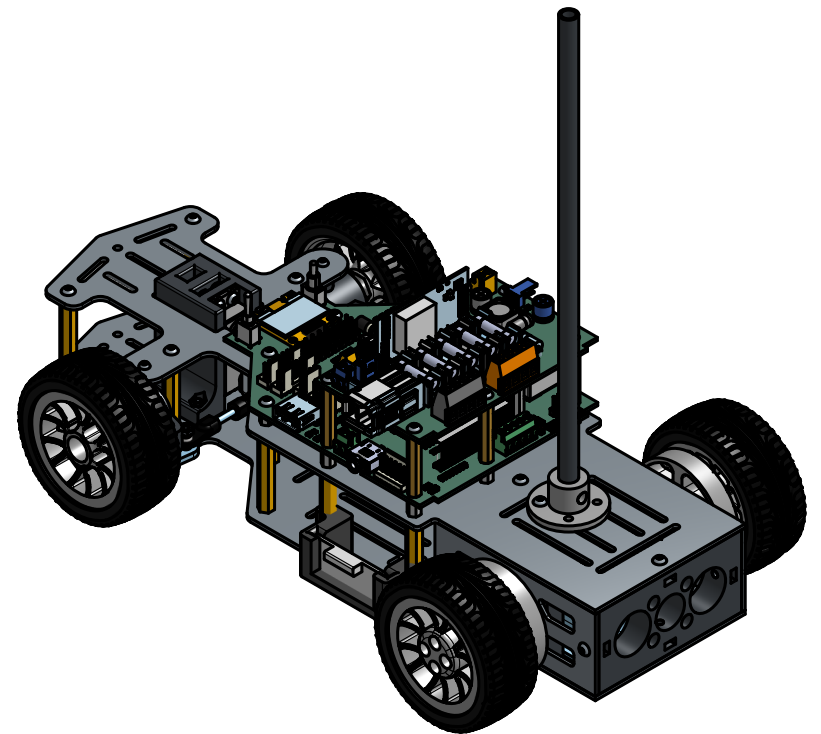
B

A

A



1:2



1:3

| | | | |
|---|----------|--------------------------------|--------------------|
| UNLESS OTHERWISE SPECIFIED, DIMENSIONS ARE IN MILLIMETERS | | TITLE CAR ASSEMBLY OVERVIEW | |
| FIRST ANGLE PROJECTION | MATERIAL | SIZE A4 | DWG NO. 1 |
| | | FINISH | REV. 1A |
| | | SCALE 1:4 | DATE 2024-06-17 |
| | | SHEET 19 of 21 | |

2

1

2

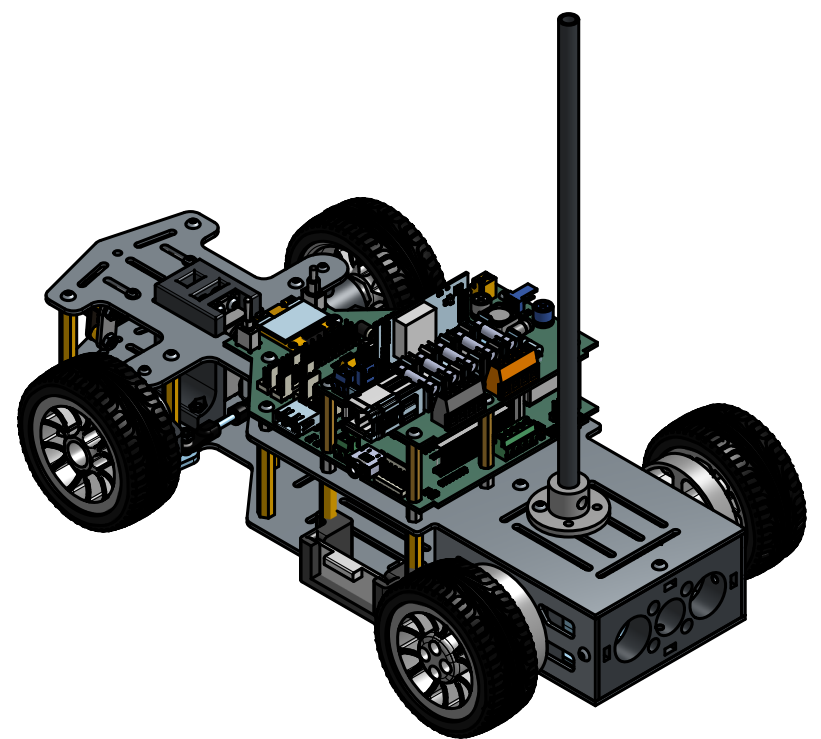
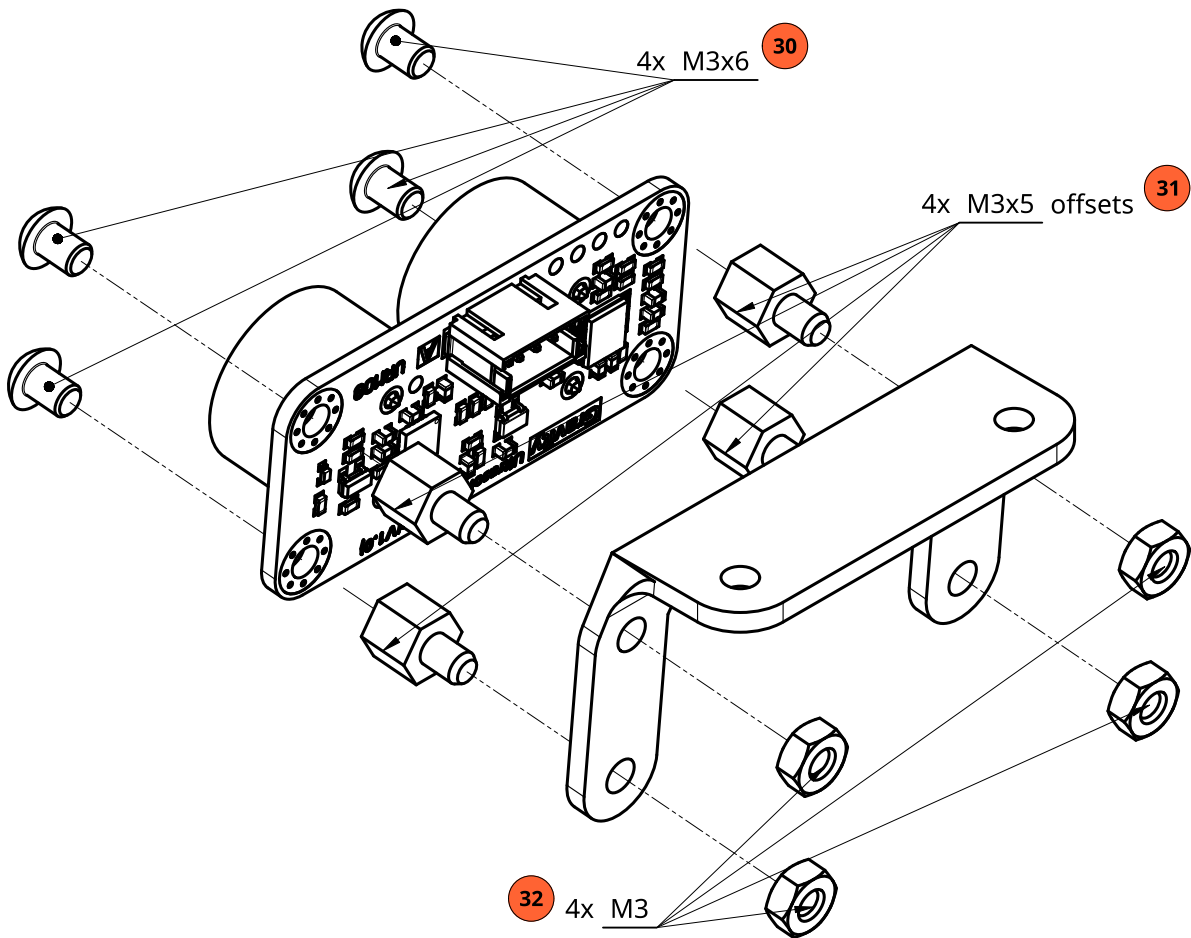
1

B

B

A

A



1:3

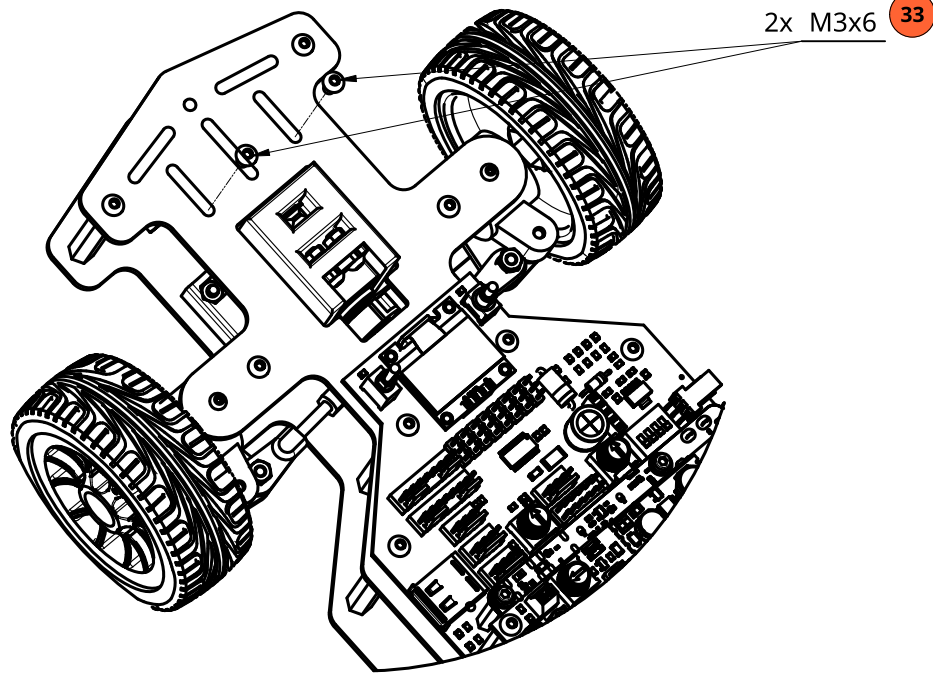
| | | | | | |
|---|----------|--------|---------------------------------------|---------------------|-------------------|
| UNLESS OTHERWISE SPECIFIED, DIMENSIONS ARE IN MILLIMETERS | | | TITLE CAR ASSEMBLY OVERVIEW | | |
| FIRST ANGLE PROJECTION | MATERIAL | FINISH | SIZE A4 | DWG NO. 1 | REV. 1A |
| | | | SCALE 1:4 | DATE 2024-06-17 | SHEET 20 of 21 |

2

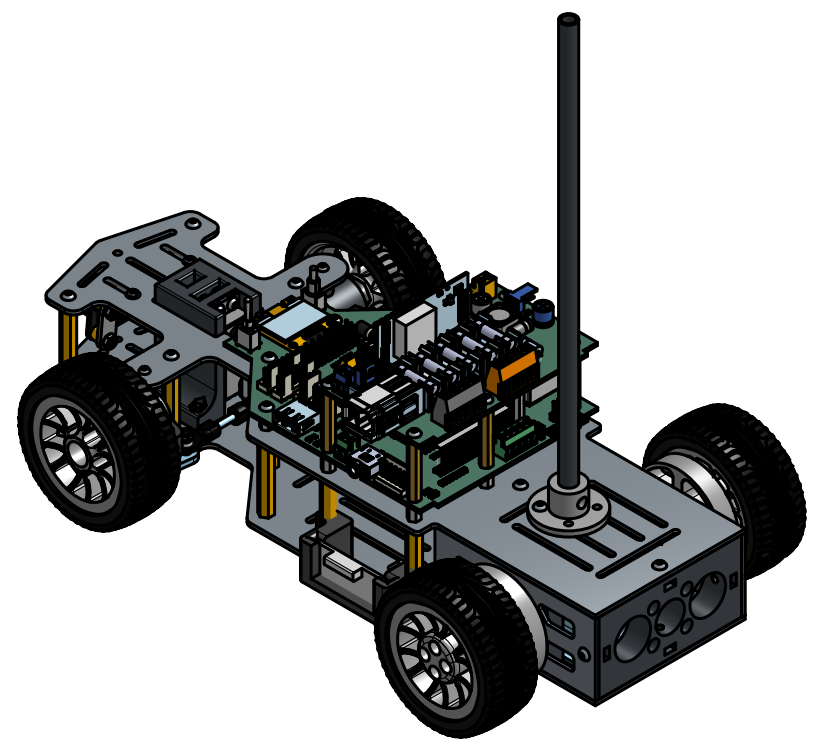
1

2

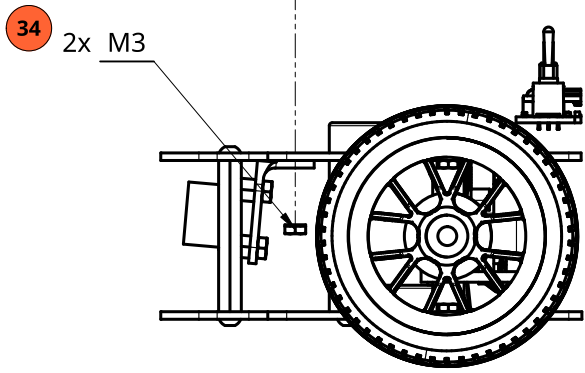
1



1:2



1:3



1:2

| | | | | | |
|---|----------|--------|-------|-----------------------|----------|
| UNLESS OTHERWISE SPECIFIED, DIMENSIONS ARE IN MILLIMETERS | | TITLE | | CAR ASSEMBLY OVERVIEW | |
| FIRST ANGLE PROJECTION | MATERIAL | FINISH | SIZE | DWG. NO. | REV. |
| | | | A4 | 1 | 1A |
| | | | SCALE | DATE | SHEET |
| | | | 1:4 | 2024-06-17 | 21 of 21 |

2

1

B

B

A

A